

Nov 04<sup>th</sup>, 2021

## **Dynabook Laptop Components Classified as Requiring Selective Treatment**

Dynabook would like to communicate the method of identifying and removing components contained in Dynabook notebook products, including but not limited to the **Dynabook Satellite Pro C40-J /C50-J** model, that requires selective treatment based on the European WEEE Directive, Directive 2012/19/EU of the European Parliament and of the Council on waste electrical and electronic equipment (WEEE).

All of the instructions provided within this letter can be reviewed in greater detail within the **Satellite Pro C40-J /C50-J Series Maintenance Manual**.

### **Tools Required**

In order to remove internal components of the **Satellite Pro C40-J /C50-J** some tools from the list below may be required located in **Chapter 4 Replacement Procedures** of the **Dynabook Maintenance Manual**

- One 2 mm Phillips screwdriver
- Tweezers (for pulling out screws)
- ESD mats (for the floor and work desks)
- An ESD wrist strap or heel grounder
- Anti-static carpets or flooring
- Air ionizers (for highly electrostatic sensitive areas)
- A plastic card (in credit card size)

### **Table of Contents**

- (Page 2) Removing the Lithium Ion Battery (Main Battery)
- (Page 3) Removing the SSD and Main Memory Module
- (Page 4) LCD, Printed Circuit / Wiring Boards (PCB/ PWB system board)
- (Page 5) AC Adapter and external provide cables

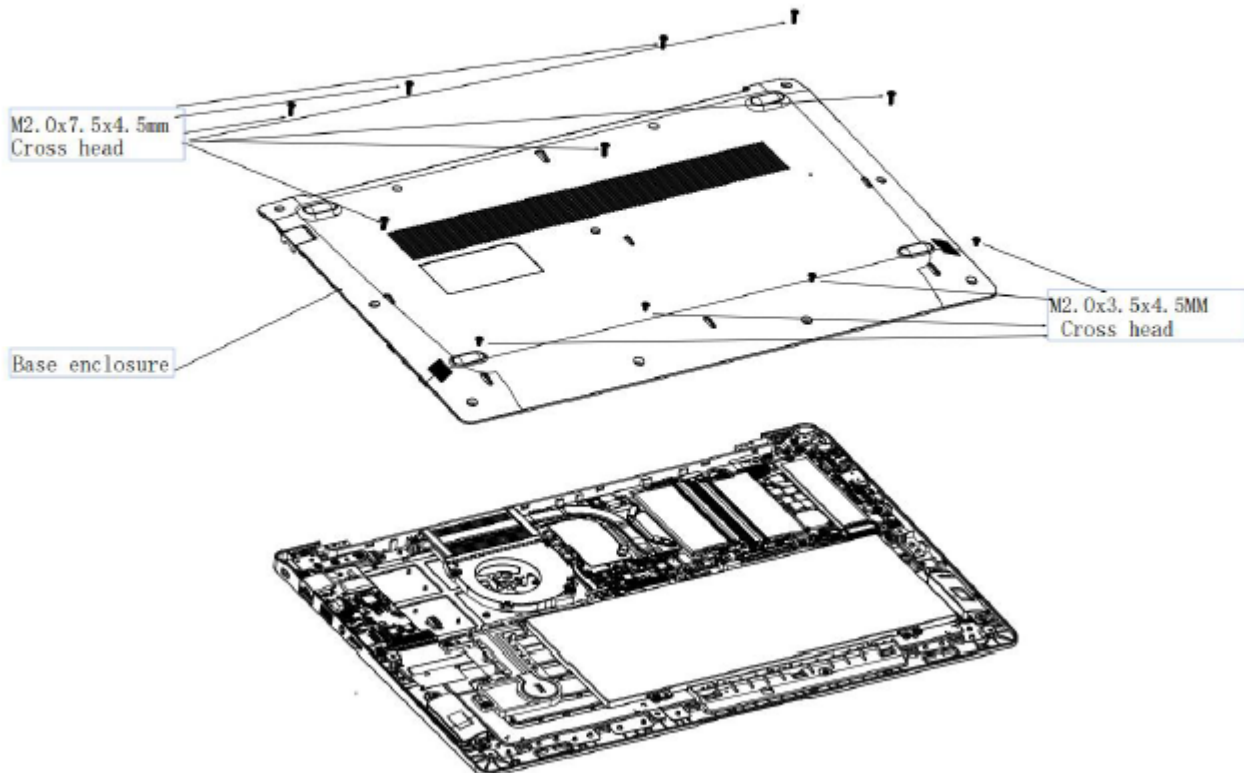
## 1. Removing the Lithium Ion Battery (Main Battery)

Please refer to the information below for instructions regarding the identification and removal of the lithium ion battery. Further maintenance instructions can be found in section 4.2 of the **Satellite Pro C40-J /C50-J Maintenance Manual**. Some tools are required in order to remove this component. Once removed, these components should be recycled as per local requirements.

### Remove the base assembly

Remove seven M2.0x7.5x4.5black Phillips head screws securing Base Enclosure and four M2.0x3.5x4.5black Phillips head screws securing Base Enclosure .

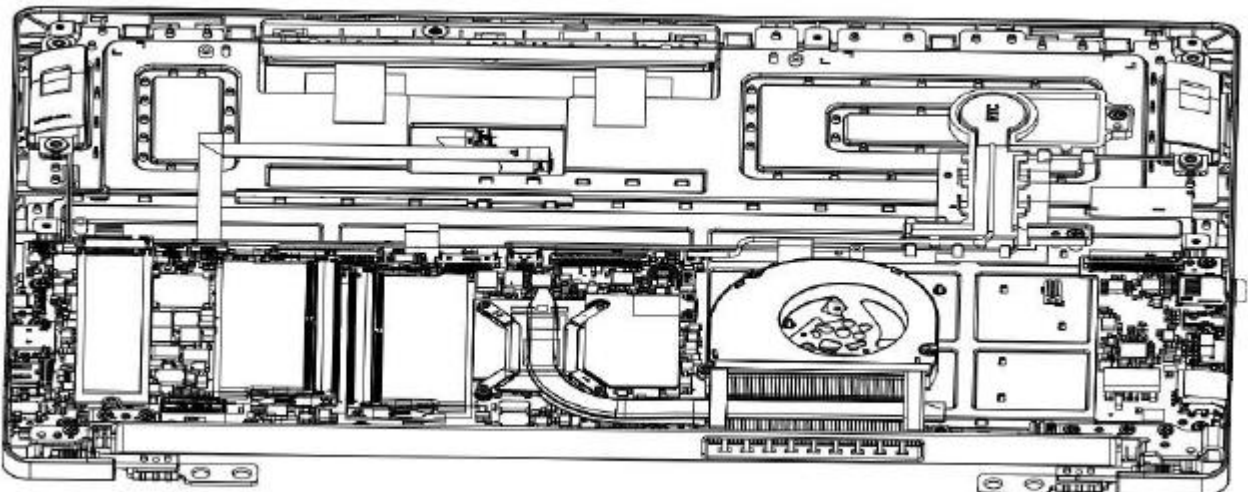
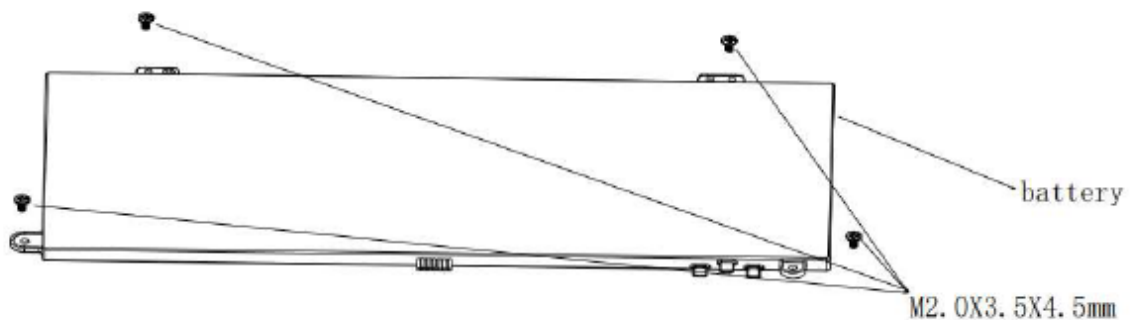
### 2. Remove Base Enclosure..



2. Remove the main battery by disconnecting the battery harness from connector CN3

**CAUTION:** When handling the battery packs, use care not to short circuit the terminals. Do not drop, hit, twist, or bend the battery packs. Do not scratch or break up their casing.

1. Remove Battery Maly.
2. Disconnect Battery cable from CN3 on system board.
3. Remove four M2.0x3.5x4.5 black Phillips head screws securing Battery.
4. Remove Battery.



**NOTE:** Dispose of the used battery packs as required by local ordinances or regulations.

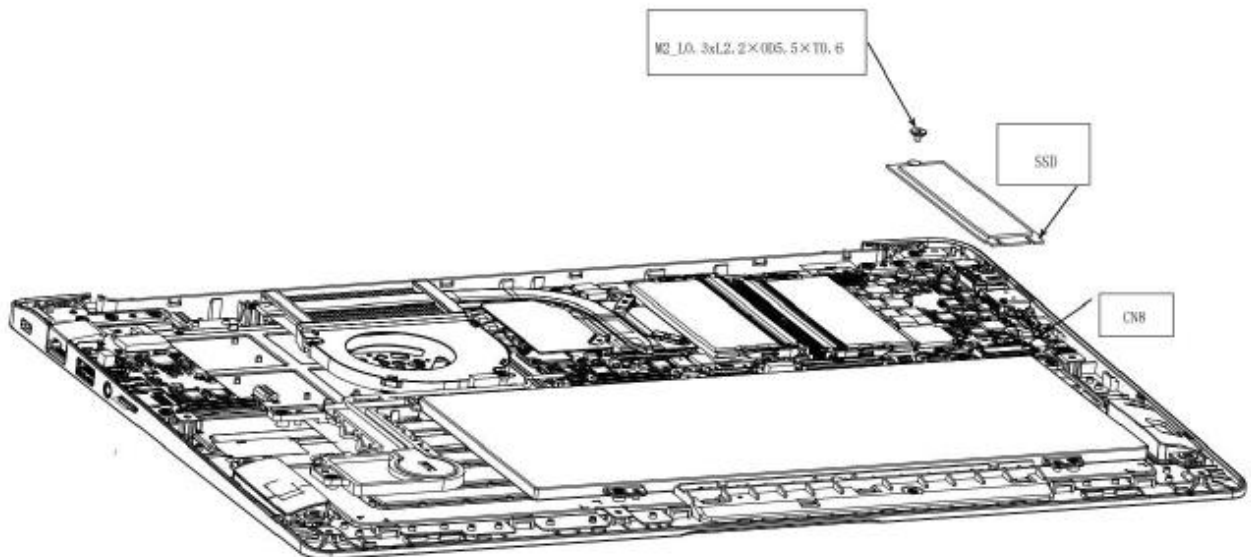
### **3. Removing the SSD**

Please refer to the information below for instructions regarding the identification and removal of the SSD.

Please refer to the information listed in section 4.4 of the **Satellite Pro C40-J /C50-J Series Maintenance Manual**.

One Philips screwdriver with type 1 bit will be required to remove the screws indicated in the locations below. Once removed, these components should be recycled as per local requirements.

1. Remove thermally conductive pad
2. Remove one M2\_L0.3xL2.2xOD5.5xT0.6 black Phillips head screw securing the SSD.
3. Pull SSD from CN8 on system board.



## **Removing the LCD and Printed Circuit / Wiring Boards**

Beside the LCD and the main PCB, there are further small PCBs and components which are in the scope of the WEEE Directive. The removal of those components are described in detail in the chapter 4 of associate maintenance manual.

Figure 4.2 Removing Base Enclosure .....	4-7
Figure 4.3 Removing Battery Pack .....	4-9
Figure 4.4 Removing SSD .....	4-13
Figure 4.5 Removing SODIMM .....	4-14
Figure 4.6 Removing LCD Module Assembly .....	4-17
Figure 4.7 Removing the CPU Cooling Module and Fan .....	4-19
Figure 4.7 Applying silicon grease (CPU).....	4-20
Figure 4.8 Removing System Board .....	4-21
Figure 4.9 Removing IO Board .....	4-23
Figure 4.10 Removing Speaker .....	4-25
Figure 4.11 Removing the LCD Module Mask .....	4-27
Figure 4.12 Removing LCD Panel follow direction . .....	4-29
Figure 4.12 Removing the LCD cable .....	4-32
Figure 4.12 LCD cable below the LCD module cover latch .....	4-32
Figure 4.13 Removing the CCD Module .....	4-33
Figure 4.14 Removing the Touch pad Module .....	4-35

**AC Adapter, External cables provided with the AC adapter and USB cables**

Depending on your purchased model there are different AC adapters or cables supplied. Those parts should be recycled as per local requirements.

