

March 11th, 2022

Dynabook Laptop Components Classified as Requiring Selective Treatment

Dynabook would like to communicate the method of identifying and removing components contained in Dynabook notebook products, including but not limited to the **Dynabook Portege X50-G** model, that requires selective treatment based on the European WEEE Directive, Directive 2012/19/EU of the European Parliament and of the Council on waste electrical and electronic equipment (WEEE).

All of the instructions provided within this letter can be reviewed in greater detail within the **Portege X50-G** Series **Maintenance Manual**.

Tools Required

In order to remove internal components of the **Portege X50-G** some tools from the list below may be required located in **Chapter 4 Replacement Procedures** of the **Dynabook Maintenance Manual**

For your safety and the safety of the people around you, it is important that you use Electrostatic Discharge (ESD) equipment. Correctly utilizing of the equipment increases the percentage of successful repairs and saves on the cost of damaged or destroyed parts. The following equipment is required for disassembly and assembly.

- One Philips screwdriver with type 0 bit (for S-THIN HEAD screws)
- One Philips screwdriver with type 1 bit (for screws other than above)
- One flat-blade screwdriver (for removing the CPU)
- Tweezers (for lifting screws)
- ESD mats (lay on work table or floor)
- An ESD wrist strap and heel grounder
- Anti-static carpet or flooring
- Air-ionizers in highly static sensitive areas
- Antenna coaxial cable disconnecter
- Special syringe (for applying grease)

Table of Contents

- (Page 2-3) Removing the Lithium Ion Battery (Main Battery)
- (Page 4-5) Removing the SSD
- (Page 6-7) LCD, Printed Circuit / Wiring Boards (PCB/ PWB system board)
- (Page 7) AC Adapter and external provide cable

1. Removing the Lithium Ion Battery (Main Battery)

Please refer to the information below for instructions regarding the identification and removal of the lithium ion battery. Further maintenance instructions can be found in section 4.5 of the **Portege X50-G Maintenance Manual**. Some tools are required in order to remove this component. Once removed, these components should be recycled as per local requirements.

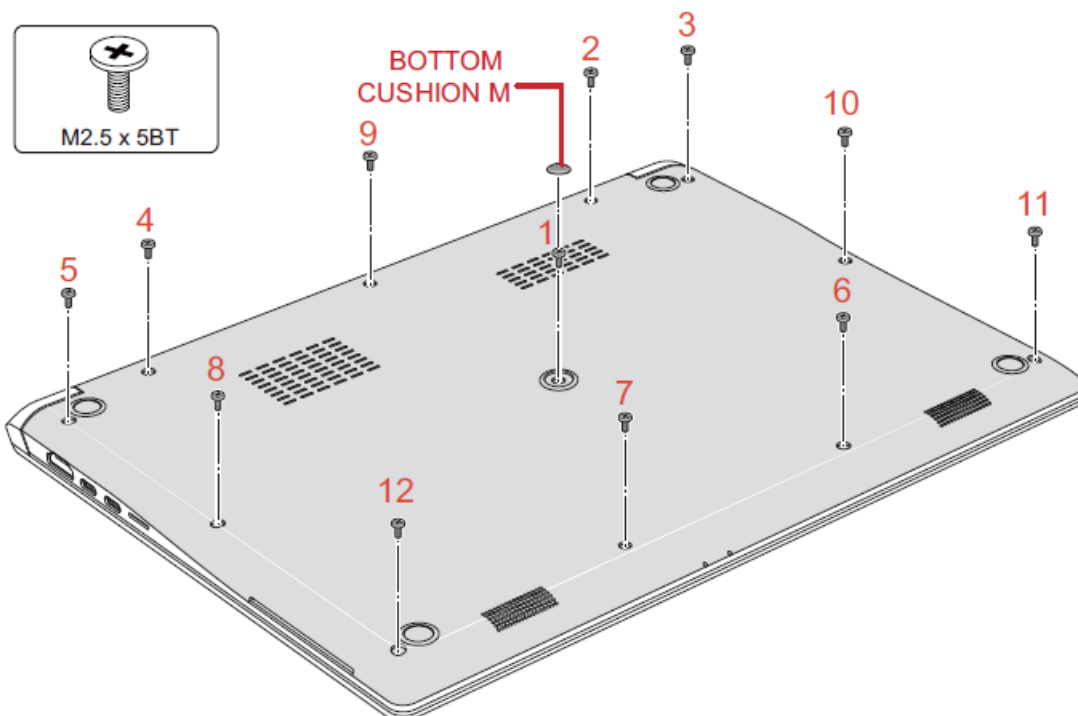
To remove the battery, the base assembly must be removed first:

Removing the Cover Assembly and Base Assembly

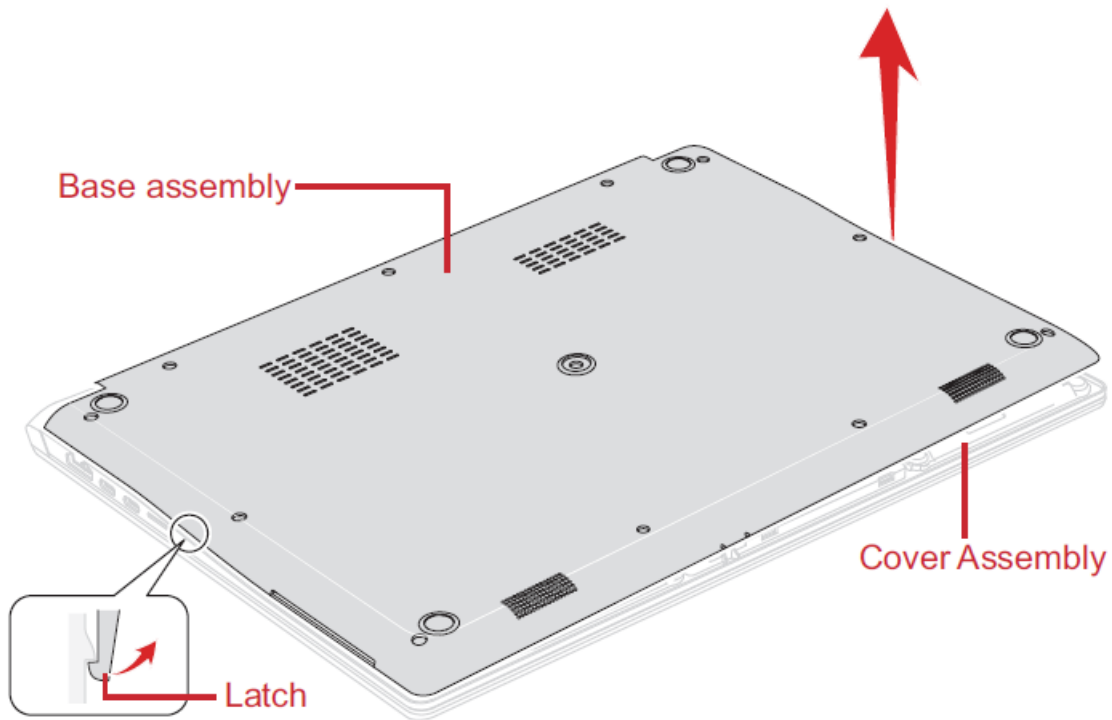
To remove the Base Assembly, follow the steps below and refer to [Figure 4-4](#) to [Figure 4-5](#).

1. Close the display panel and turn the computer face down.
2. Remove the **BOTTOM CUSHION M** on the center of the Base Assembly.
3. Remove the following screws securing the Cover Assembly and the Base Assembly.

Figure 4-4 Removing the Base Assembly (1)



4. Separate the **Base Assembly** and **Cover Assembly** while releasing the latch.



4.11 Battery pack

4.11.1 Removing the Battery pack

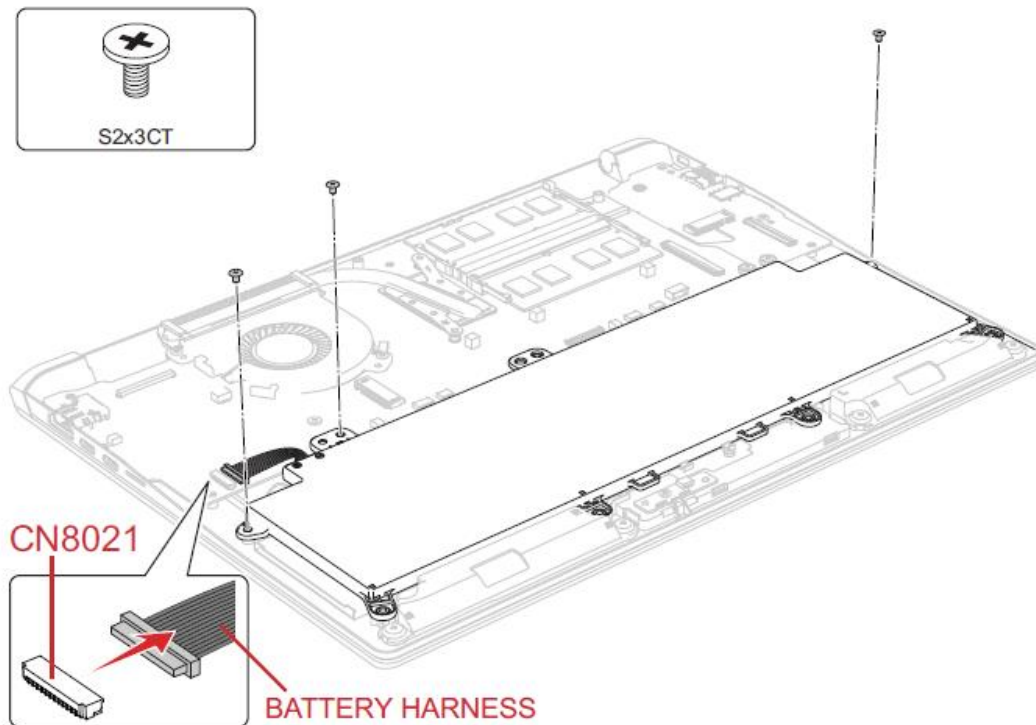
To remove the battery pack, follow the steps below and refer to [Figure 4-6](#).



Take care not to short circuit the terminals when removing the battery pack. Similarly, do not drop, knock, scratch, disassemble, twist, or bend the battery pack.

1. Peel off the **INSU SQUARE** and disconnect the **BATTERY HARNESS** from the connector **CN8021** on the SYSTEM board.
2. Remove the following screws and the battery pack.

Figure 4-6 Releasing the battery pack



Dispose of the used/removed battery pack in accordance with the laws and ordinances of your local authority.

2. Removing the SSD

To remove the SSD the **mainboard** must be removed **first**.

Please refer to the information listed in section 4.22 of the **Portege X50-G Series Maintenance Manual** to check how the mainboard is removed.

Please refer to the information below for the removal of the SSD.

One Philips screwdriver with type 1 bit will be required to remove the screws indicated in the locations below. Once removed, these components should be recycled as per local requirements.

4.23 SSD

4.23.1 Removing the SSD

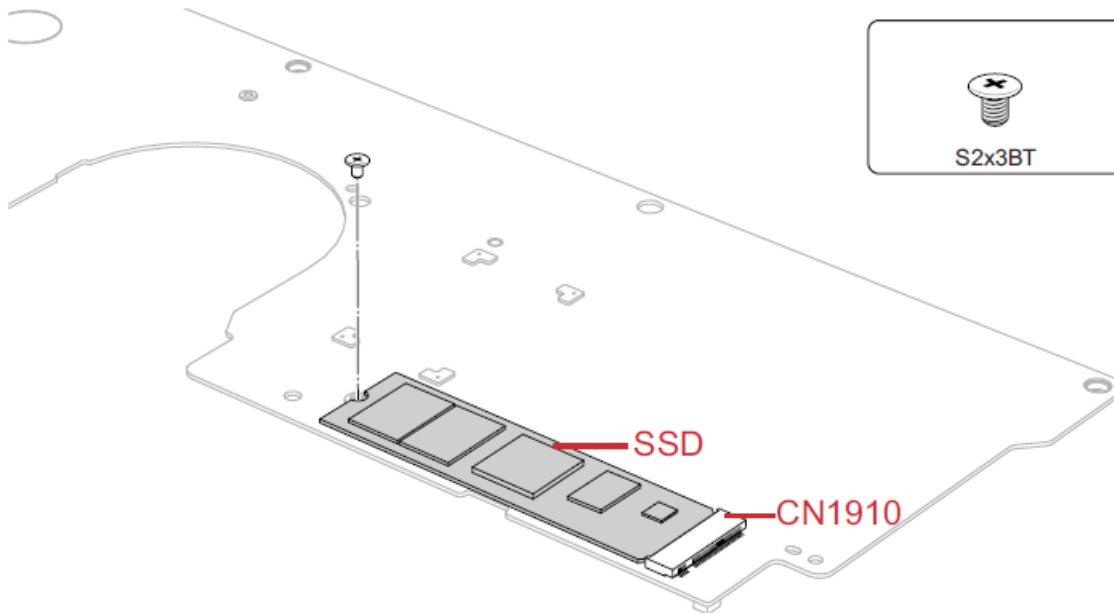
To remove the SSD, follow the steps below and refer to [Figure 4-31](#).



Take care not to press on the top or bottom of a SSD. Pressure may cause the data loss or damage to the device.

1. Remove the the following screw and disconnect the **SSD** from the connector **CN1910** on the SYSTEM board.

Figure 4-31 Removing the SSD



3. Removing the LCD and Printed Circuit / Wiring Boards

Beside the LCD and the main PCB, there are further **small PCBs and components** which are in the scope of the WEEE Directive. The removal of these components is described in detail in the **chapter 4** of the associated maintenance manual.

Replacement Procedures

Figure 4-4 Removing the Base Assembly (1)	4-10
Figure 4-5 Removing the Base Assembly (2)	4-11
Figure 4-6 Releasing the battery pack.....	4-12
Figure 4-7 Removing the memory module(s)	4-13
Figure 4-8 Seating the memory module	4-14
Figure 4-9 Removing the Smart Card slot (1)	4-15
Figure 4-10 Removing the Smart Card slot (2)	4-15
Figure 4-11 Removing the LED board	4-17
Figure 4-12 Removing the Speaker (1)	4-18
Figure 4-13 Removing the Speaker (2)	4-18
Figure 4-14 Arranging the Speaker harness.....	4-19
Figure 4-15 Removing the dual button (1)	4-19
Figure 4-16 Removing the dual button (2)	4-20
Figure 4-17 Removing the dual button (3)	4-20
Figure 4-18 Removing the dual button (4)	4-21
Figure 4-19 Removing the dual button (5)	4-21
Figure 4-20 Removing the 3G module (1)	4-22
Figure 4-21 Removing the 3G module (2)	4-23
Figure 4-22 Removing the USB board (1)	4-23
Figure 4-23 Removing the USB board (2)	4-24
Figure 4-24 Removing the Wireless LAN card.....	4-25
Figure 4-25 Arranging Wireless LAN antenna cable.....	4-26
Figure 4-26 Removing the Fan	4-27
Figure 4-27 Removing the Fin	4-28
Figure 4-28 Removing the system board (1).....	4-30

Figure 4-29 Removing the system board (2).....	4-30
Figure 4-30 Removing the system board (3).....	4-31
Figure 4-31 Removing the SSD	4-32
Figure 4-32 Installing the SSD.....	4-33
Figure 4-33 Removing the Power button	4-33
Figure 4-34 Installing the Power button (1).....	4-34
Figure 4-35 Installing the Power button (2).....	4-34
Figure 4-36 Removing the Click pad (1)	4-35
Figure 4-37 Removing the Click pad (2).....	4-35
Figure 4-38 Installing the Click pad (1).....	4-36
Figure 4-39 Installing the Click pad (2).....	4-36
Figure 4-40 Installing the Click pad (3).....	4-37
Figure 4-41 Removing the keyboard	4-37
Figure 4-42 Installing the keyboard (1).....	4-38
Figure 4-43 Installing the keyboard (2).....	4-39
Figure 4-44 Installing the keyboard (3).....	4-39
Figure 4-45 Installing the keyboard (4).....	4-40
Figure 4-46 Installing the keyboard (5).....	4-40
Figure 4-47 Installing the keyboard (6).....	4-41
Figure 4-48 Installing the keyboard (7).....	4-41
Figure 4-49 Removing the LCD unit (1)	4-42
Figure 4-50 Removing the LCD unit (2).....	4-42
Figure 4-51 Removing the LCD unit (3).....	4-43
Figure 4-52 Removing the LCD unit (4).....	4-44
Figure 4-53 Removing the LCD unit (5).....	4-45
Figure 4-54 Removing the LCD unit (6).....	4-45
Figure 4-55 Installing the LCD unit (1).....	4-47
Figure 4-56 Installing the LCD unit (2).....	4-48
Figure 4-57 Installing the LCD unit (3).....	4-49
Figure 4-58 Installing the LCD unit (4).....	4-50
Figure 4-59 Removing the camera module (1).....	4-51
Figure 4-60 Removing the camera module (2).....	4-52
Figure 4-61 Removing the camera module (3).....	4-52

AC Adapter, External cables provided with the AC adapter and USB cables

Depending on your purchased model there are different AC adapters or cables supplied. Those parts should be recycled as per local requirements.

