

March 11th, 2022

Dynabook Laptop Components Classified as Requiring Selective Treatment

Dynabook would like to communicate the method of identifying and removing components contained in Dynabook notebook products, including but not limited to the **Portege X40-J** model, that requires selective treatment based on the European WEEE Directive, Directive 2012/19/EU of the European Parliament and of the Council on waste electrical and electronic equipment (WEEE).

All of the instructions provided within this letter can be reviewed in greater detail within the **Portege X40-J Series Maintenance Manual**.

Tools Required

In order to remove internal components of the **Portege X40-J** some tools from the list below may be required located in **Chapter 4 Replacement Procedures** of the **Dynabook Maintenance Manual**

For your safety and the safety of the people around you, it is important that you use Electrostatic Discharge (ESD) equipment. Correctly utilizing of the equipment increases the percentage of successful repairs and saves on the cost of damaged or destroyed parts. The following equipment is required for disassembly and assembly.

- One Philips screwdriver with type 0 bit (for S-THIN HEAD screws)
- One Philips screwdriver with type 1 bit (for screws other than above)
- One flat-blade screwdriver (for removing the CPU)
- Tweezers (for lifting screws)
- ESD mats (lay on work table or floor)
- An ESD wrist strap and heel grounder
- Anti-static carpet or flooring
- Air-ionizers in highly static sensitive areas
- Antenna coaxial cable disconnecter
- Special syringe (for applying grease)

Table of Contents

- (Page 2-4) Removing the Lithium Ion Battery (Main Battery, No coin cell battery)
- (Page 5) Removing the SSD
- (Page 6-46) LCD, Printed Circuit / Wiring Boards (PCB/ PWB system board)
- (Page 47-48) AC Adapter and external provide cable

1. Removing the Lithium Ion Battery (Main Battery, No coin cell battery)

Please refer to the information below for instructions regarding the identification and removal of the lithium ion battery. Further maintenance instructions can be found in section 4.10 of the **Portege X40-J Maintenance Manual**. Some tools are required in order to remove this component. Once removed, these components should be recycled as per local requirements.

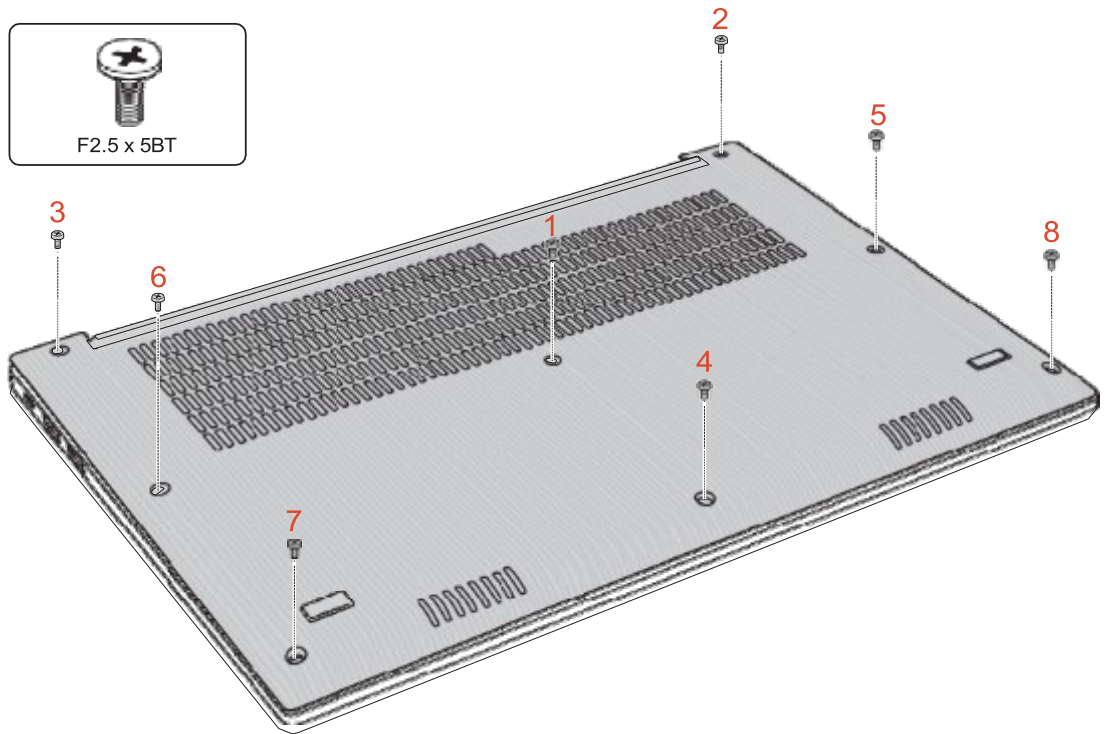
To remove the battery, the base assembly must be removed first:

4.10.1 Removing the Cover Assembly and Base Assembly

To remove the Base Assembly, follow the steps below and refer to [Figure 4- 3](#) to [Figure 4-4](#).

1. Close the display panel and turn the computer face down.
2. Remove the following screws securing the Cover Assembly and the Base Assembly.

Figure 4-3 Removing the Base Assembly (1)



3. Separate the **Base Assembly** and **Cover Assembly** while releasing the latches using a plectrum.

Figure 4-4 Removing the Base Assembly (2)

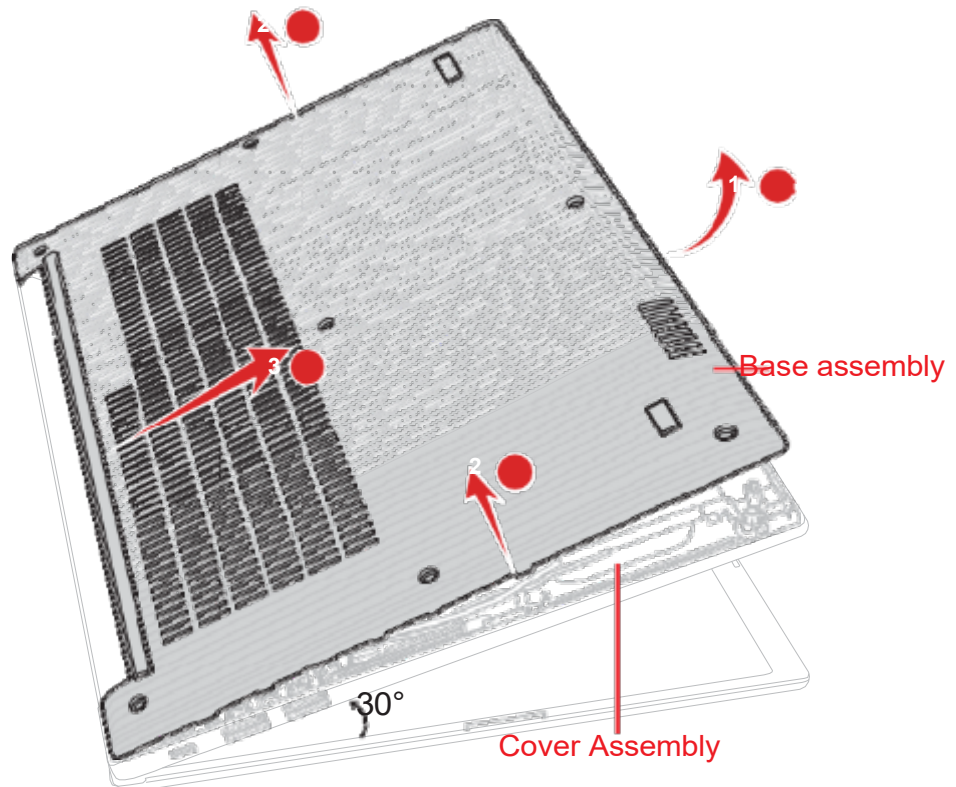
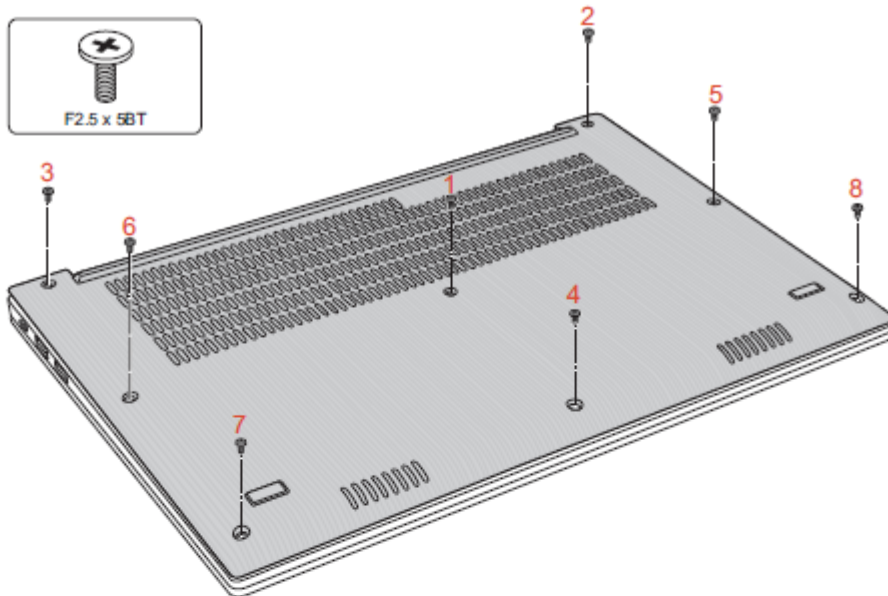
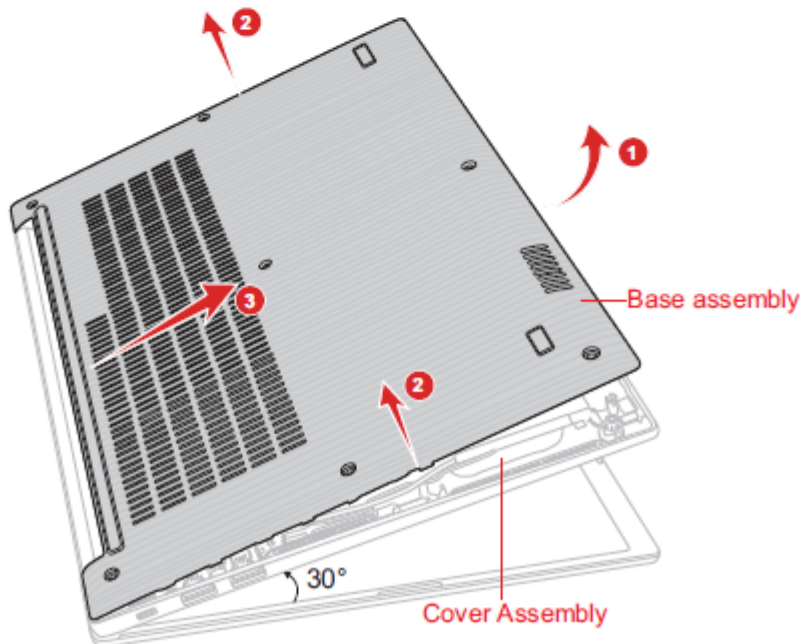


Figure 4-3 Removing the Base Assembly (1)



3. Separate the **Base Assembly** and **Cover Assembly** while releasing the latches using a plectrum.

Figure 4-4 Removing the Base Assembly (2)



4.11.1 Removing the Battery pack

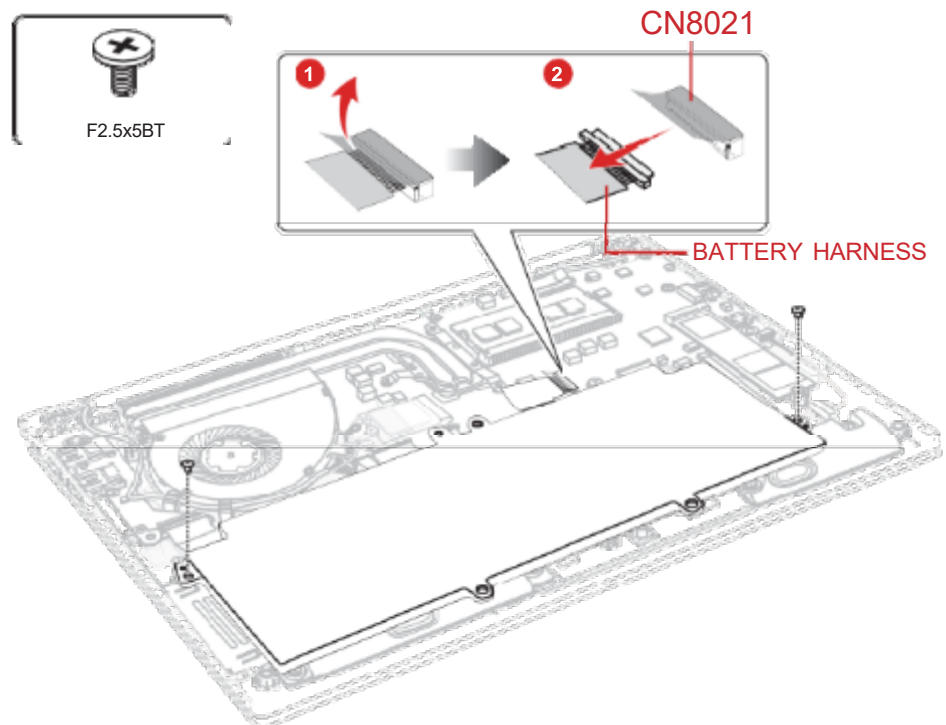
To remove the battery pack, follow the steps below and refer to [Figure 4-6](#).



Take care not to short circuit the terminals when removing the battery pack. Similarly, do not drop, knock, scratch, disassemble, twist, or bend the battery pack.

1. Peel off the **INSU SQUARE** and disconnect the **BATTERY HARNESS** from the connector **CN8021** on the SYSTEM board.
2. Remove the following screws and the battery pack.

Figure 4-6 Releasing the battery pack



Dispose of the used/removed battery pack in accordance with the laws and ordinances of your local authority.

2. Removing the SSD

Please refer to the information below for instructions regarding the identification and removal of the SSD. Please refer to the information listed in section **4.21** of the **Portege X40-J Series Maintenance Manual** to check how the mainboard is removed.

4.13.1 Removing the SSD

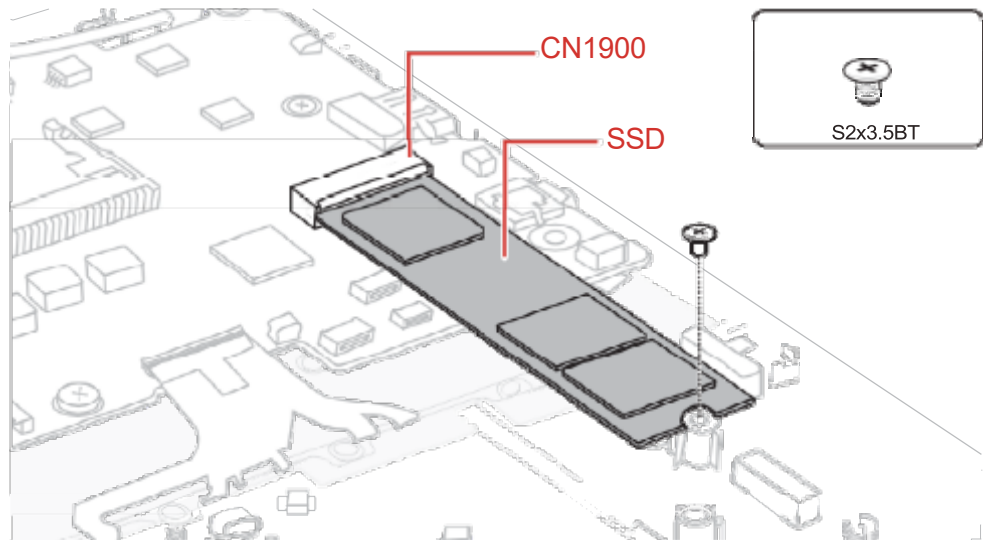
To remove the SSD, follow the steps below and refer to [Figure 4-9](#).



Take care not to press on the top or bottom of a SSD. Pressure may cause the data loss or damage to the device.

1. Remove the the following screw and disconnect the **SSD** from the connector **CN1900** on the SYSTEM board.

Figure 4-9 Removing the SSD



3. Removing the LCD and Printed Circuit / Wiring Boards

Beside the LCD and the main PCB, there are further **small PCBs and components** which are in the scope of the WEEE Directive. The removal of these components is described in detail in the **chapter 4** of the associated maintenance manual.

Replacement Procedures

Figure 4-2 Inserting memory media.....	4-8
Figure 4-3 Removing the Base Assembly (1)	4-9
Figure 4-4 Removing the Base Assembly (2)	4-9
Figure 4-5 Installing the Base Assembly	4-10
Figure 4-6 Releasing the battery pack.....	4-11
Figure 4-7 Removing the memory module(s)	4-12
Figure 4-8 Seating the memory module	4-13
Figure 4-9 Removing the SSD	4-13
Figure 4-10 Installing the SSD.....	4-14
Figure 4-11 Removing the Smart Card slot (1)	4-15
Figure 4-12 Removing the Smart Card slot (2)	4-15
Figure 4-13 Removing the Smart Card slot (3)	4-16
Figure 4-14 Installing the Smart Card slot	4-16
Figure 4-15 Removing the dual button unit/Click pad (1).....	4-17
Figure 4-16 Removing the dual button unit/Click pad (2).....	4-17
Figure 4-17 Removing the dual button unit/Click pad (3).....	4-18
Figure 4-18 Removing the dual button unit/Click pad (4).....	4-18
Figure 4-19 Removing the dual button unit/Click pad (5).....	4-19
Figure 4-20 Removing the dual button unit/Click pad (6).....	4-19
Figure 4-21 Installing the dual button unit/Click pad (1)	4-20
Figure 4-22 Installing the dual button unit/Click pad (2)	4-20
Figure 4-23 Installing the dual button unit/Click pad (3)	4-21
Figure 4-24 Removing the Speaker (1)	4-21
Figure 4-25 Removing the Speaker (2)	4-22
Figure 4-26 Installing the Speaker (1).....	4-22
Figure 4-27 Installing the Speaker (2).....	4-23
Figure 4-28 Removing the Wireless LAN card.....	4-24
Figure 4-29 Installing the Wireless LAN card (1).....	4-25
Figure 4-30 Installing the Wireless LAN card (2).....	4-25
Figure 4-31 Removing the USB board.....	4-26
Figure 4-32 Removing the Fan	4-27
Figure 4-33 Removing the Fin	4-28
Figure 4-34 Removing the system board (1).....	4-30
Figure 4-35 Removing the system board (2).....	4-30
Figure 4-36 Removing the system board (3).....	4-31
Figure 4-37 Installing the system board.....	4-31
Figure 4-38 Removing the Keyboard/Cover Assembly.....	4-32
Figure 4-39 Removing the LCD unit (1)	4-35
Figure 4-40 Removing the LCD unit (2)	4-36
Figure 4-41 Removing the LCD unit (3)	4-36
Figure 4-42 Installing the LCD unit (1).....	4-37
Figure 4-43 Installing the LCD unit (2).....	4-38
Figure 4-44 Installing the LCD unit (4).....	4-39
Figure 4-45 Installing the LCD unit (5).....	4-39
Figure 4-46 Installing the LCD unit (6).....	4-40
Figure 4-47 Removing the camera module (1).....	4-40
Figure 4-48 Removing the camera module (2).....	4-41
Figure 4-49 Removing the camera module (3).....	4-41
Figure 4-50 Stick Wireless LAN antennas.....	4-42
Figure 4-51 Arrange Wireless LAN antenna cables	4-42
Figure 4-52 Installing the Camera module	4-43
Figure 4-53 Removing the display hinges	4-44

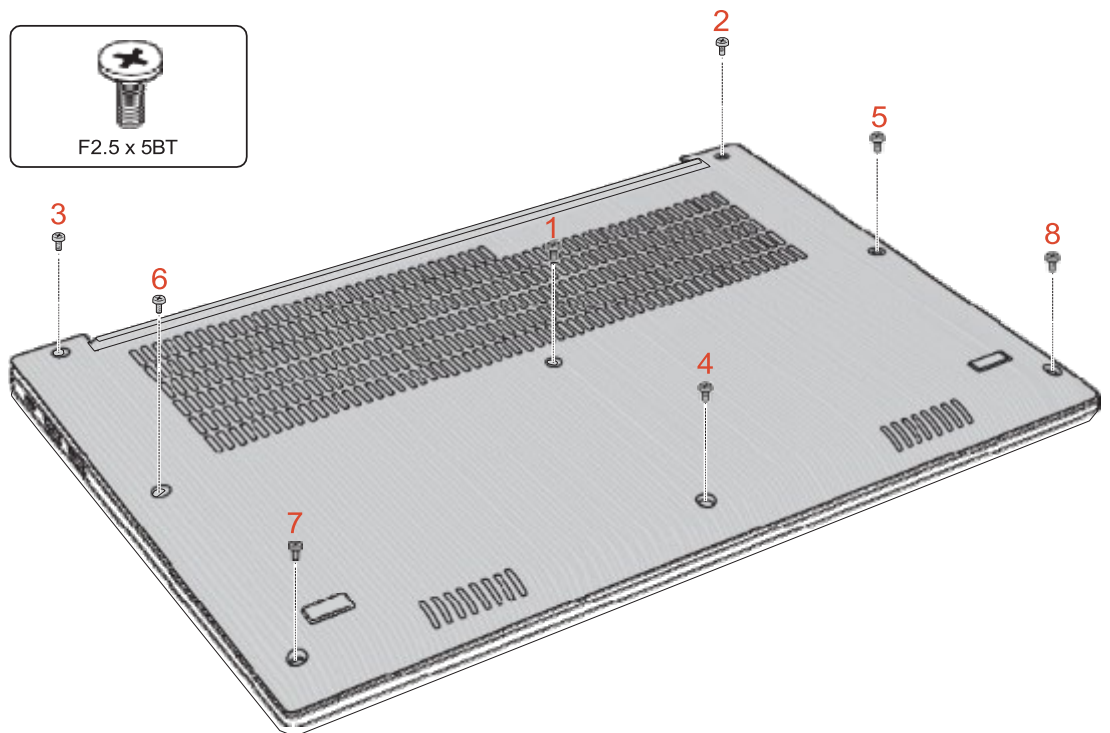
4.10 Cover Assembly and Base Assembly

4.10.1 Removing the Cover Assembly and Base Assembly

To remove the Base Assembly, follow the steps below and refer to [Figure 4- 3](#) to [Figure 4-4](#).

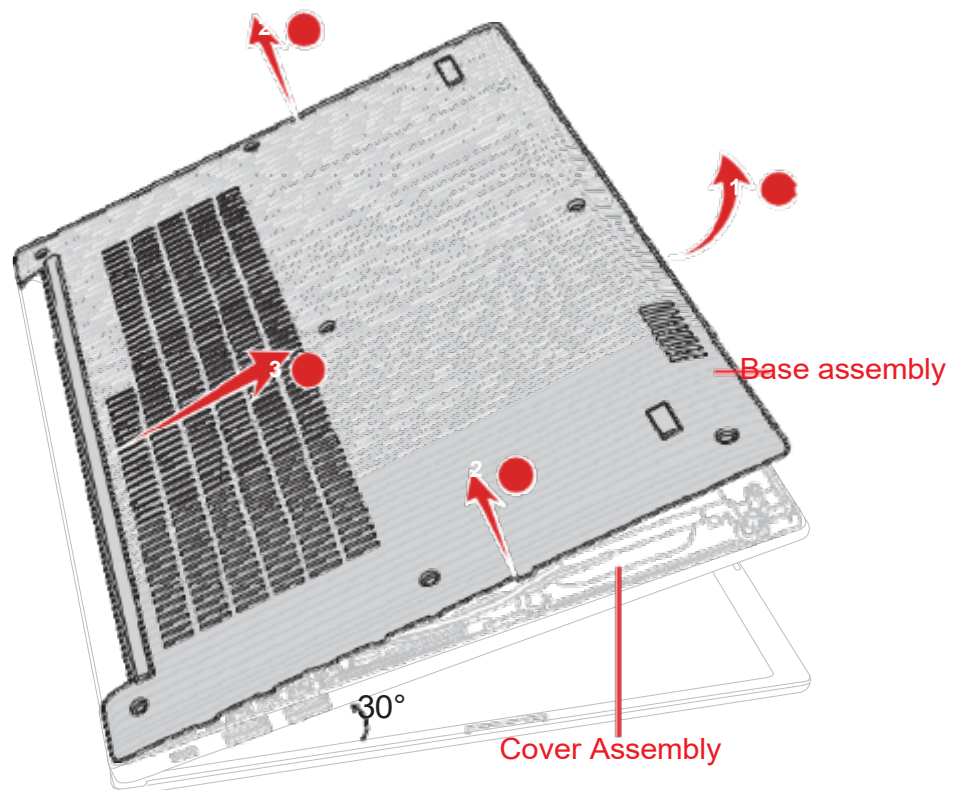
1. Close the display panel and turn the computer face down.
2. Remove the following screws securing the Cover Assembly and the Base Assembly.

Figure 4-3 Removing the Base Assembly (1)



3. Separate the **Base Assembly** and **Cover Assembly** while releasing the latches using a plectrum.

Figure 4-4 Removing the Base Assembly (2)



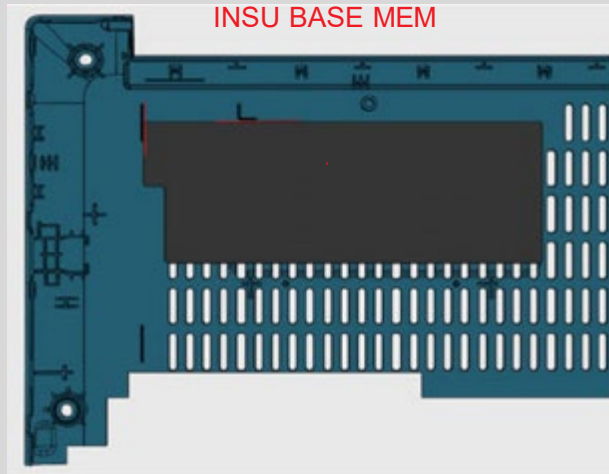
4.10.2 Installing the Base Assembly

To install the Base Assembly, follow the steps below and refer to [Figure 4-3](#) to [Figure 4-5](#).



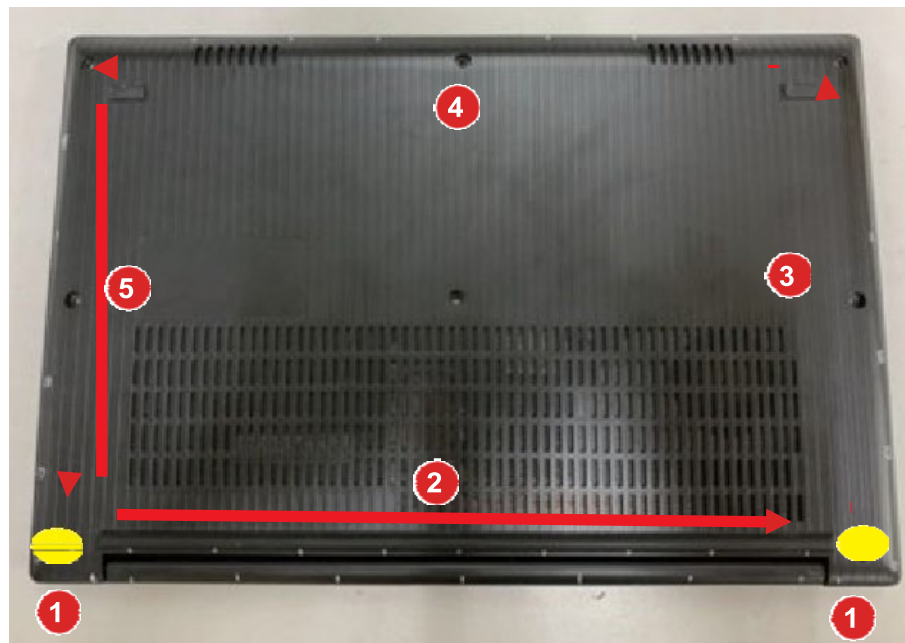
For models with 0GB/4GB/8GB/16GB memory module installed:

- When replacing the Base Assembly with a new one, stick a new **INSU BASE MEM** on the new Base Assembly in place.



1. Set the Cover Assembly on the Base Assembly while securing the latches.

Figure 4-5 Installing the Base Assembly



2. Secure the Cover Assembly and Base Assembly with the screws.



When securing the Base Assembly, be sure to drive the screws in the order of the number on [Figure 4-3](#).

3. Turn the computer, and open the display.

4.11 Battery pack

4.11.1 Removing the Battery pack

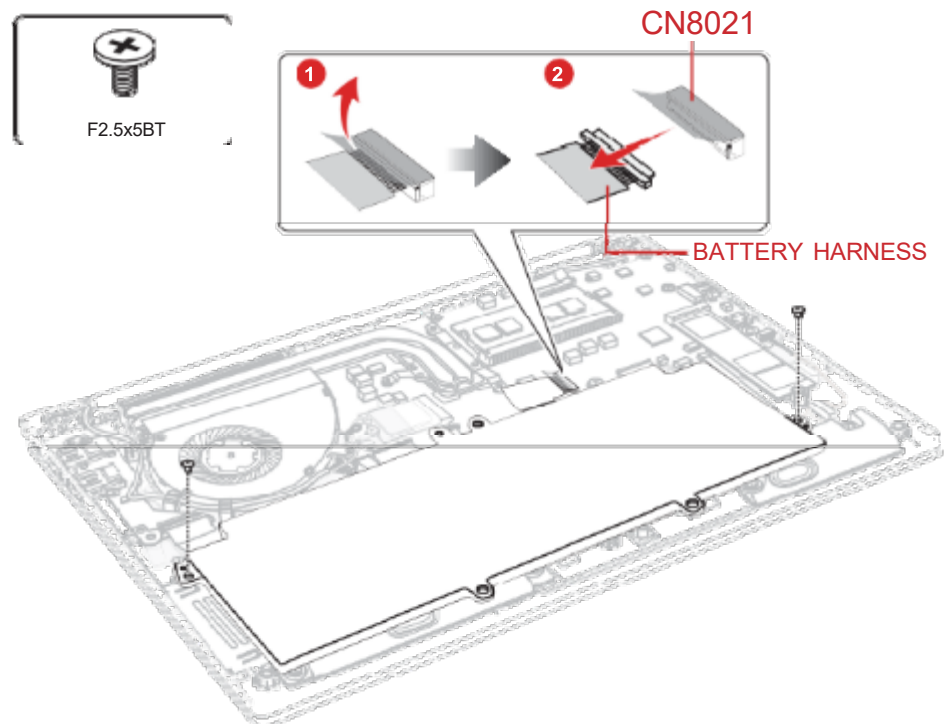
To remove the battery pack, follow the steps below and refer to [Figure 4-6](#).



Take care not to short circuit the terminals when removing the battery pack. Similarly, do not drop, knock, scratch, disassemble, twist, or bend the battery pack.

1. Peel off the **INSU SQUARE** and disconnect the **BATTERY HARNESS** from the connector **CN8021** on the SYSTEM board.
2. Remove the following screws and the battery pack.

Figure 4-6 Releasing the battery pack



Dispose of the used/removed battery pack in accordance with the laws and ordinances of your local authority.

4.11.2 Installing the Battery pack

To install the battery pack, follow the steps below and refer to [Figure 4-6](#).



The lithium ion battery pack may explode if not fitted, operated, handled, or disposed correctly. Dispose always the used battery pack in accordance with the laws and ordinances of your local authority.

Use only the batteries approved by Dynabook.



Check the battery's terminals visually. If they are dirty, wipe them clean with a dry cloth.

1. Set the battery pack to the COVER ASSY and secure it with the screws.
2. Connect the **BATTERY HARNESS** to the connector **CN8021** on the SYSTEM board and stick one piece of INSU SQUARE in place.

4.12 Memory module

4.12.1 Removing the Memory module

To remove the memory module, follow the steps as detailed below:

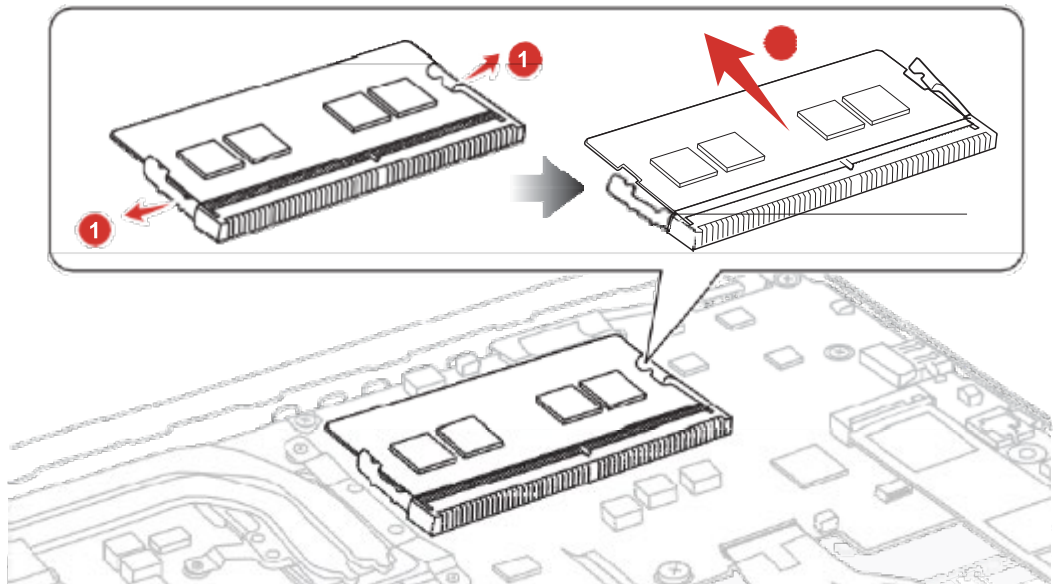


Do not touch the connectors on the memory module or on the computer. Dust or stains on the connectors may cause memory access problems.

Never press hard or bend the memory module.

1. Open the left and right **latches** outside and remove the **memory module(s)**.

Figure 4-7 Removing the memory module(s)



1. Latches

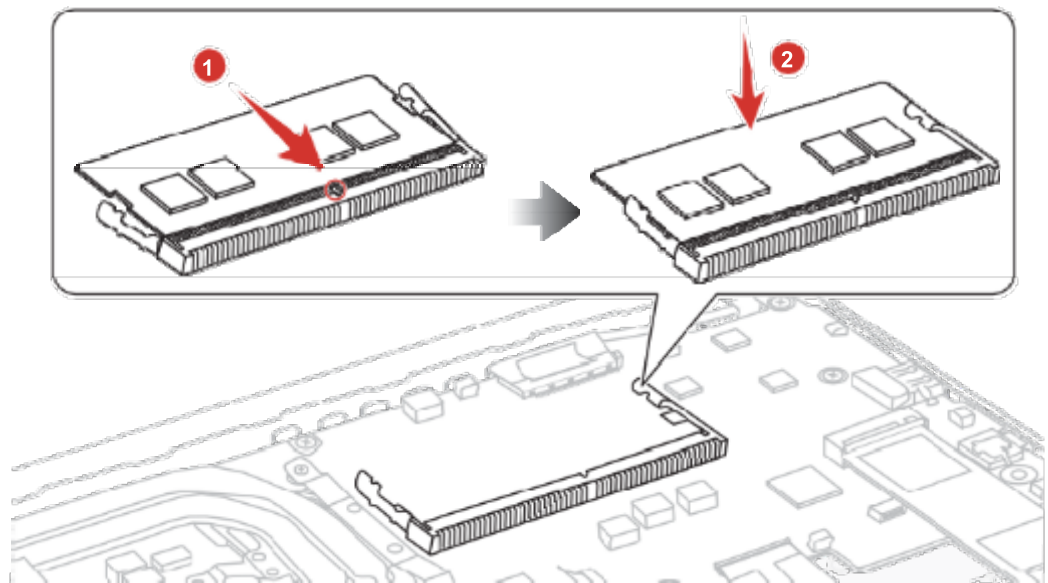
2. Memory module

4.12.2 Installing the Memory module

To install a memory module, follow the steps as detailed below:

1. Align the notch of the memory module with that of the memory slot and gently insert the module into the slot at about a 30 degree angle before holding it down until the latches on either side snap into place.

Figure 4-8 Seating the memory module



After installing the memory module, make sure that the memory module is secured with the left and right latches.

4.13 SSD

4.13.2 Removing the SSD

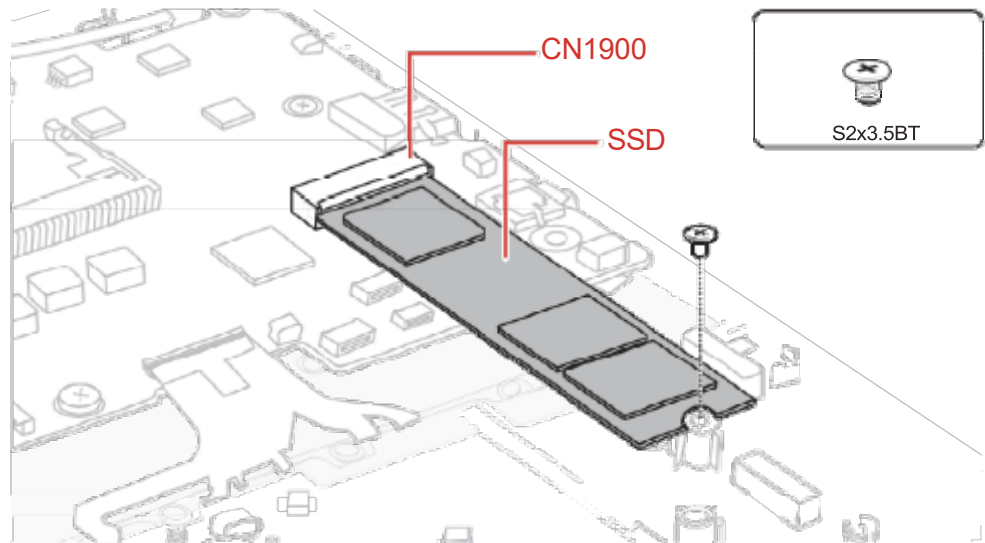
To remove the SSD, follow the steps below and refer to [Figure 4-9](#).



Take care not to press on the top or bottom of a SSD. Pressure may cause the data loss or damage to the device.

1. Remove the the following screw and disconnect the **SSD** from the connector **CN1900** on the **SYSTEM** board.

Figure 4-9 Removing the SSD



4.13.3 Installing the SSD

To install the SSD, follow the steps below and refer to [Figure 4-10](#).

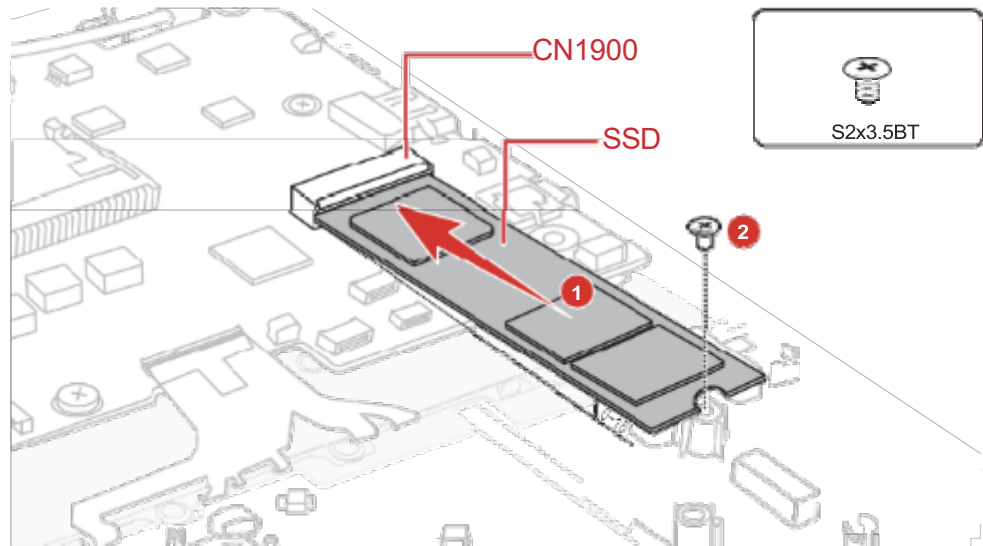


To avoid damage, always hold the SSD only by its sides.

To prevent the SSD from being distorted when installing the SSD pack into the computer, do not press the center of the SSD pack. Always hold the SSD pack by its sides.

1. Insert the **SSD** to the connector **CN1900** on the **System Board (FSAPSY*)** slantwise.
2. Push down the **SSD** and secure it with the screw.

Figure 4-10 Installing the SSD



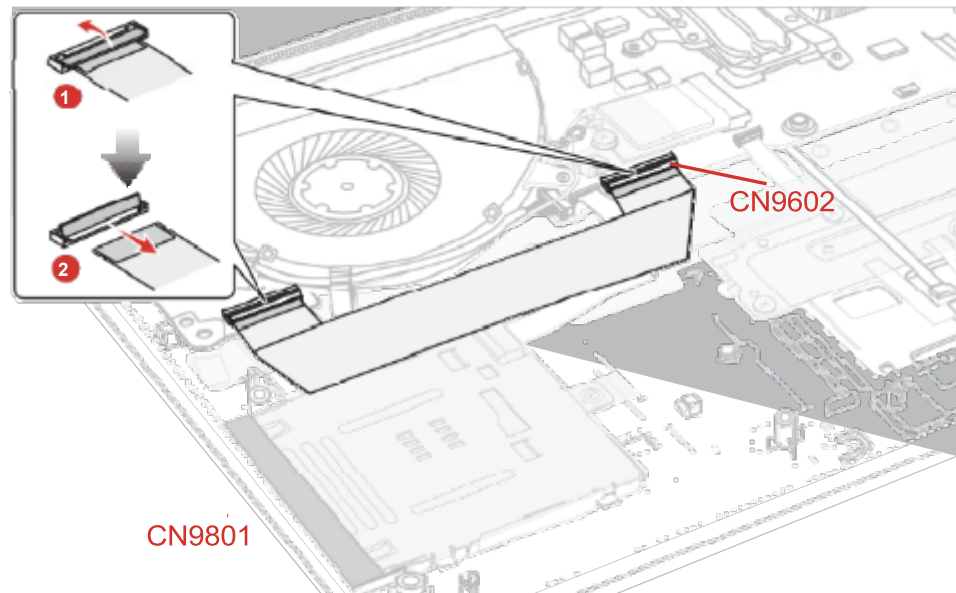
4.14 Smart Card slot

4.14.1 Removing the Smart Card slot

To remove the Smart Card slot unit, follow the steps below and refer to [Figure 4-11](#) to [Figure 4-13](#).

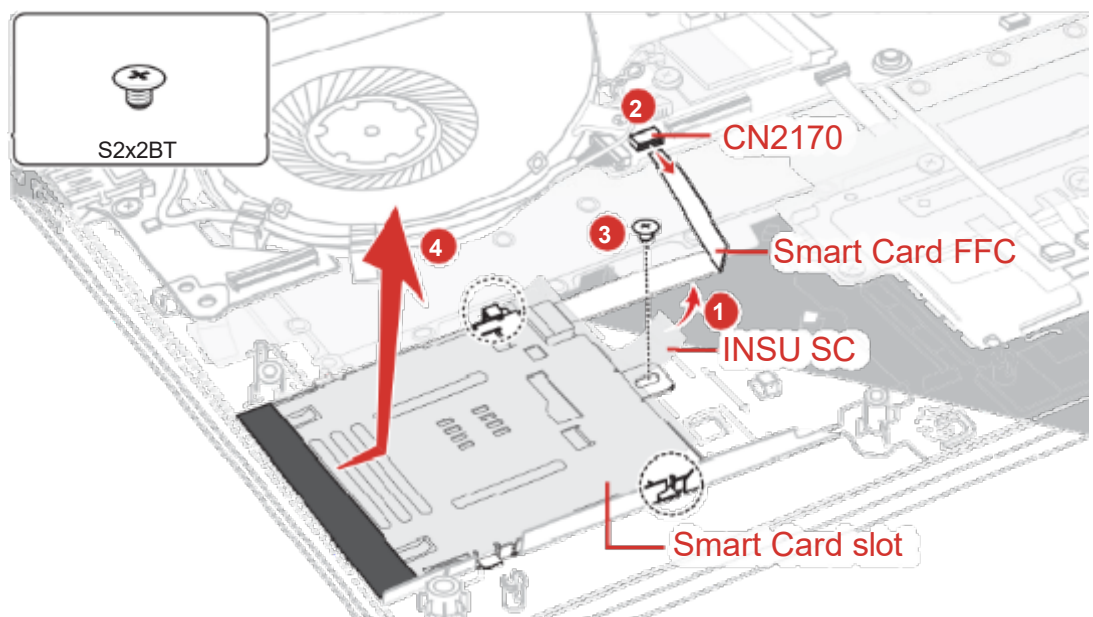
1. Disconnect the **FPC (FSAPYN*)** from the connector **CN9602** on the SYSTEM board and **CN9801** on the USB board.

Figure 4-11 Removing the Smart Card slot (1)



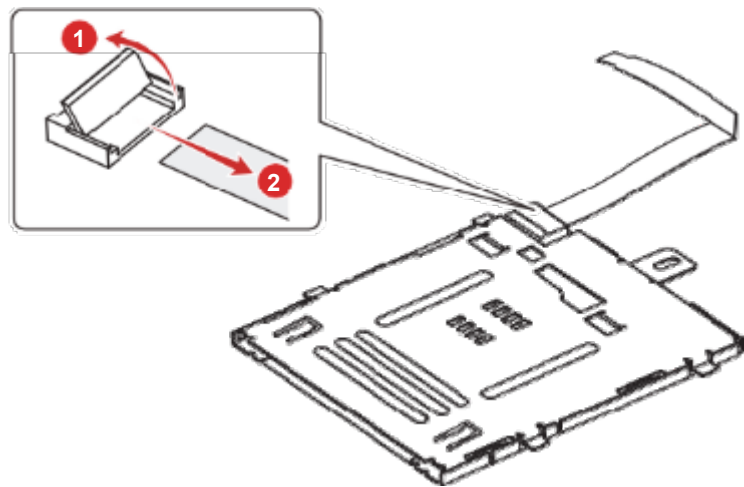
2. Peel off the **INSU SC** and disconnect the **Smart Card FFC** from the connector **CN2170** on the system board.
3. Remove the following screw, and then slide and lift the Smart Card slot unit shown in the following figure to remove the Smart Card slot.

Figure 4-12 Removing the Smart Card slot (2)



4. Disconnect the **Smart Card FFC** from the connector on the Smart Card slot.

Figure 4-13 Removing the Smart Card slot (3)

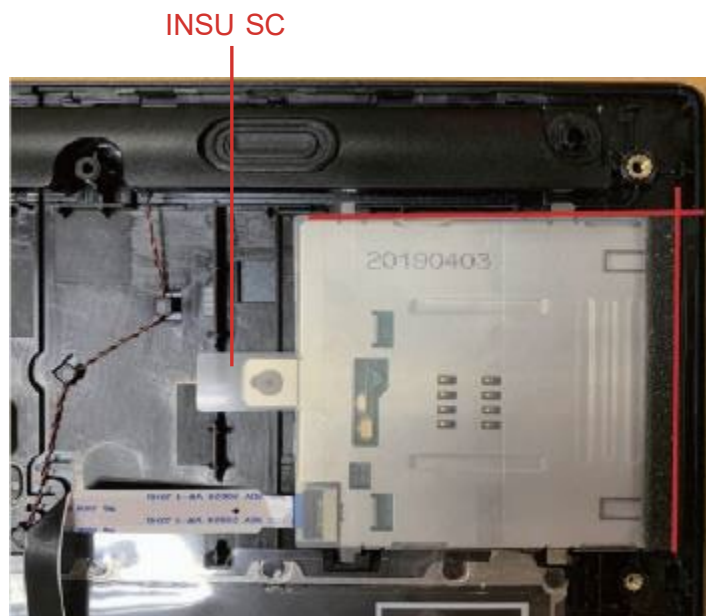


4.14.2 Installing the Smart Card slot

To install the Smart Card slot, follow the steps below and refer to [Figure 4- 11](#) to [Figure 4-14](#).

1. Connect the **Smart Card FFC** to the connector on the Smart Card slot.
2. Set the **Smart Card slot** in place and secure it with the screw.
3. Connect the **Smart Card FFC** to the connector **CN2170** on the system board.
4. Stick the **INSU SC** in place.

Figure 4-14 Installing the Smart Card slot



5. Connect the **FPC (FSAPYN*)** to the connector **CN9602** on the SYSTEM board and **CN9801** on the USB board.

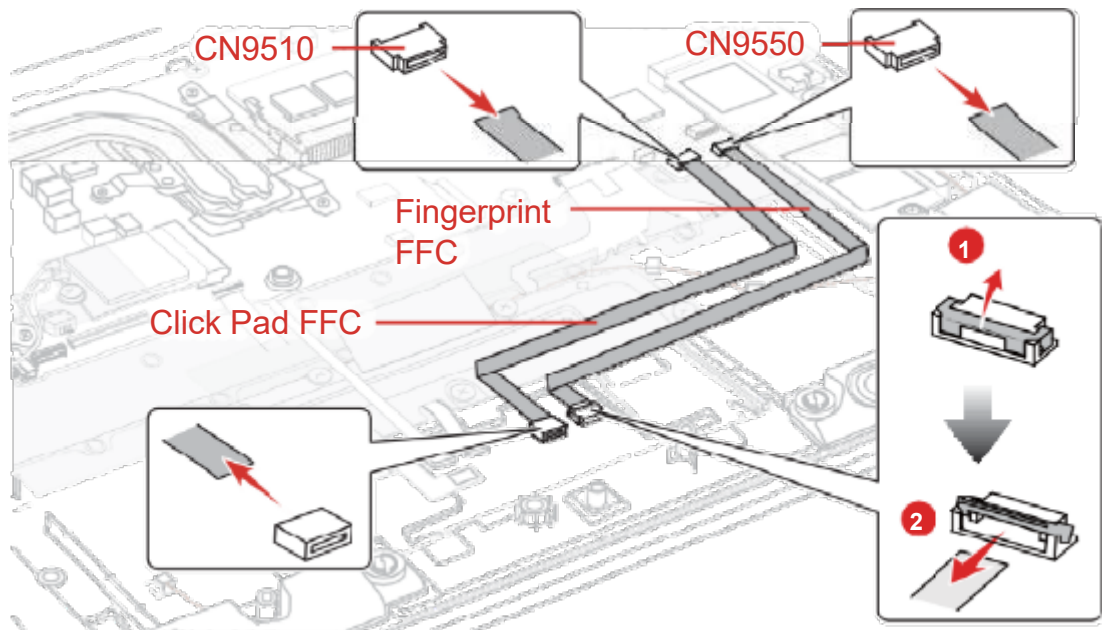
4.15 Dual button unit/Click pad

4.15.1 Removing the dual button unit/Click pad

To remove the dual button unit and click pad, follow the steps below and refer to [Figure 4-15](#) to [Figure 4-20](#).

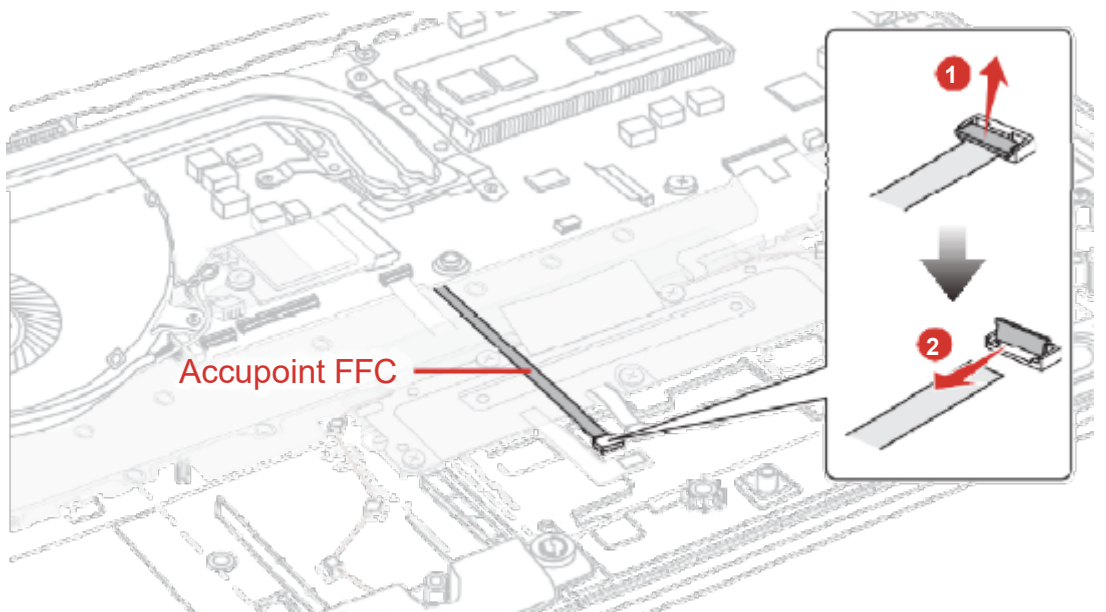
1. Disconnect the **Click Pad FFC** and **Fingerprint FFC** from the connectors on the Click Pad and the connectors **CN9510** and **CN9550** on the **System Board**.

Figure 4-15 Removing the dual button unit/Click pad (1)



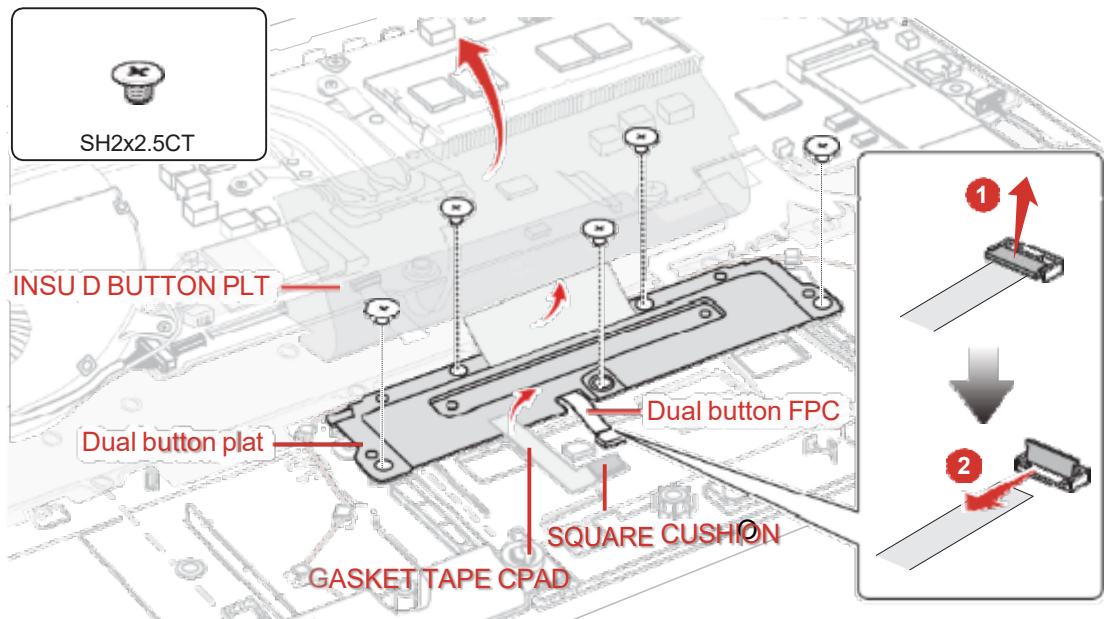
2. Disconnect the **Accupoint FFC** from the connector on the Click Pad.

Figure 4-16 Removing the dual button unit/Click pad (2)



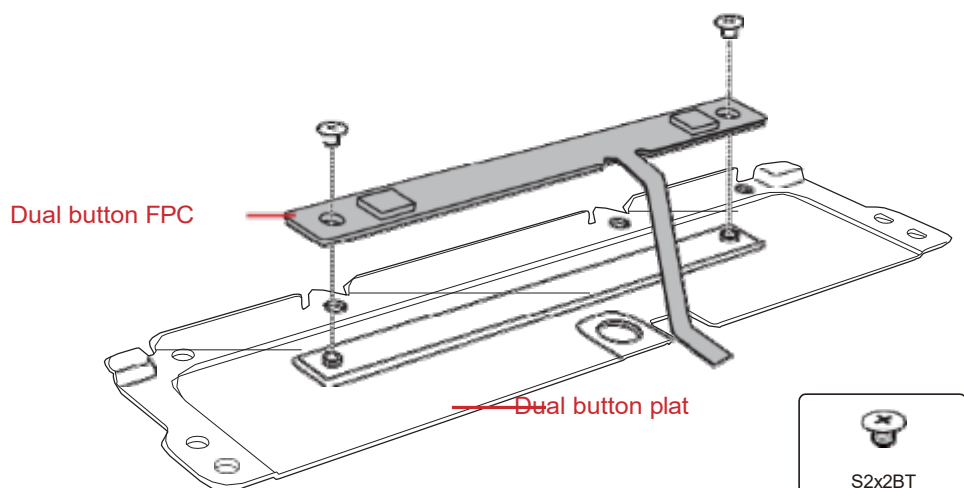
3. Peel off the **INSU D BUTTON PLT** and stick tape on the dual button plat.
4. Peel off the **SQUARE CUSHION** and **GASKET TAPE CPAD** on the Click Pad and Click Pad RIM ASSY.
5. Disconnect the **Dual button FPC** from the connector on the Click Pad.
6. Remove the following screws and then remove the dual button plat.

Figure 4-17 Removing the dual button unit/Click pad (3)



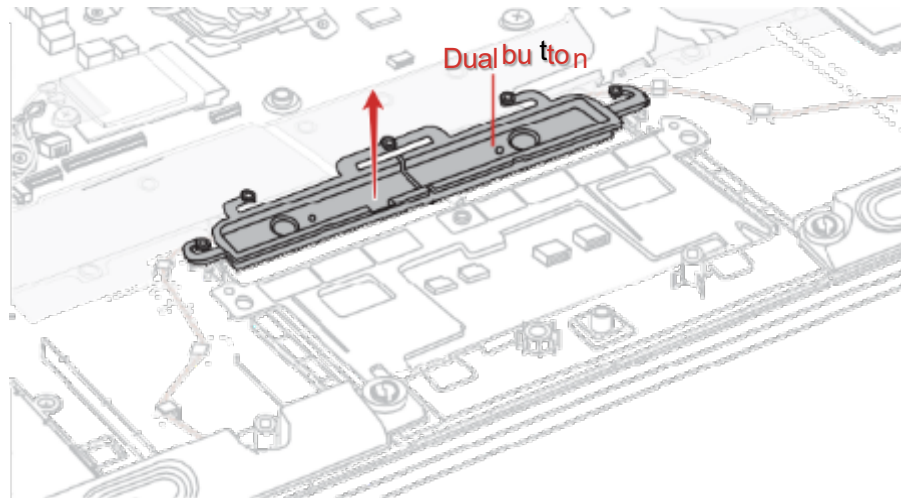
7. Remove the following screws and then release the **Dual button FPC** from the dual button plat.

Figure 4-18 Removing the dual button unit/Click pad (4)



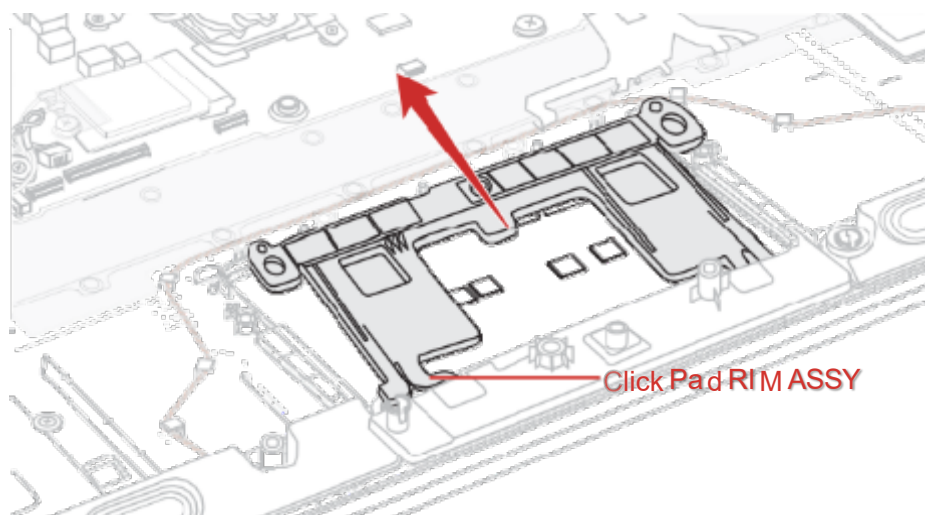
8. Remove the **Dual button** from the Cover Assembly.

Figure 4-19 Removing the dual button unit/Click pad (5)



9. Remove the **Click Pad RIM ASSY** from the Cover Assembly.

Figure 4-20 Removing the dual button unit/Click pad (6)

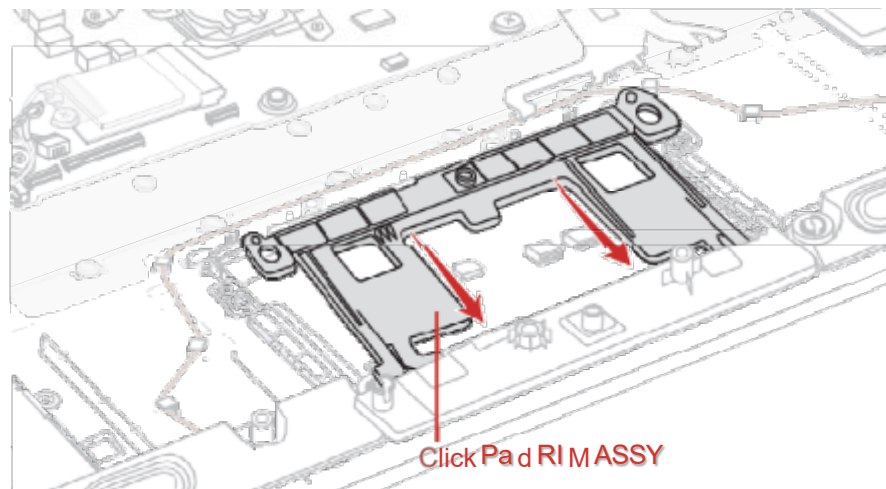


4.15.2 Installing the dual button unit/Click pad

To install the dual button unit and Click pad, follow the steps below and refer to [Figure 4-15](#) to [Figure 4-23](#).

1. Set the **Click Pad RIM ASSY** to the Cover Assembly.

Figure 4-21 Installing the dual button unit/Click pad (1)



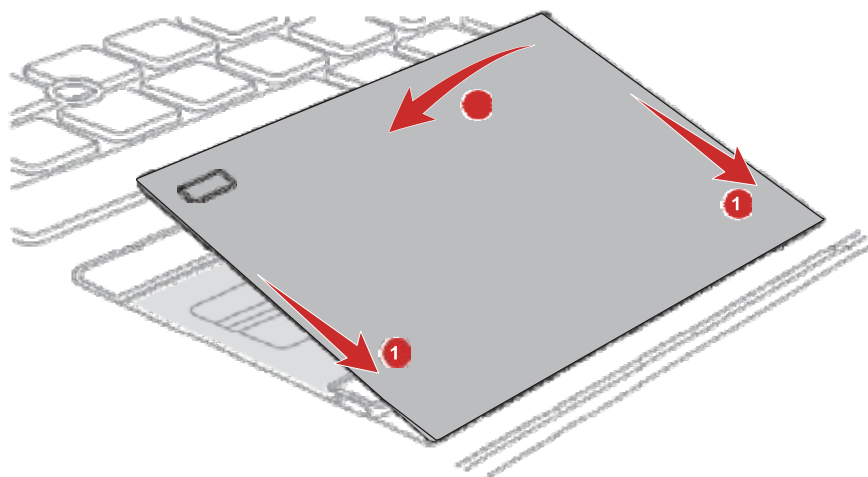
Set the **Dual button** to the Cover Assembly in place.

2. Set the **Dual button FPC** to the dual button plat and secure it with the screws.
3. Set the **Dual button plat** to the Cover Assembly and secure it with the screws.
4. Peel off the separator on the new Click Pad RIM ASSY and stick a new **Click pad** to the Cover Assembly.



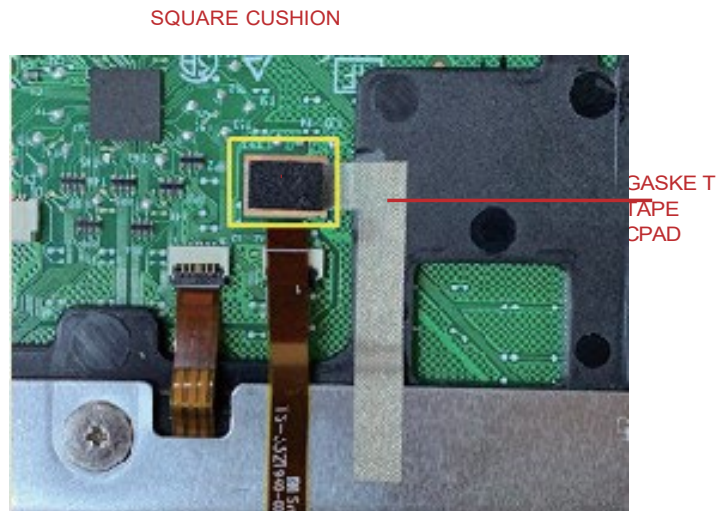
For Click Pad without Fingerprint sensor, stick the Click Pad FACE SHEET to the new Click Pad before use.

Figure 4-22 Installing the dual button unit/Click pad (2)



5. Stick a new **GASKET TAPE CPAD** and **SQUARE CUSHION** to the Click pad and Click Pad RIM ASSY.

Figure 4-23 Installing the dual button unit/Click pad (3)



6. Connect the **Dual button FPC** to the connector on the Click Pad. Stick a new stick tape and **INSU D BUTTON PLT** to the dual button plat in place.
7. Connect the **Accupoint FPC** to the connector on the Click Pad.
8. Connect the **Click Pad FFC** and **Fingerprint FFC** to the connector on the Click Pad and the connector **CN9510** and **CN9550** on the **System Board**.

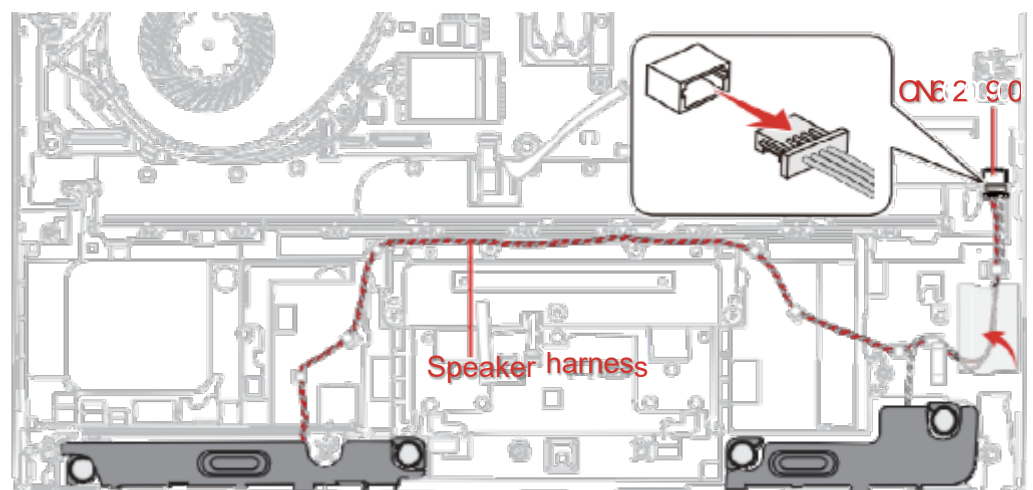
4.16 Speaker

4.16.1 Removing the Speaker

To remove the Speaker, follow the steps below and refer to [Figure 4-24](#) to [Figure 4-25](#).

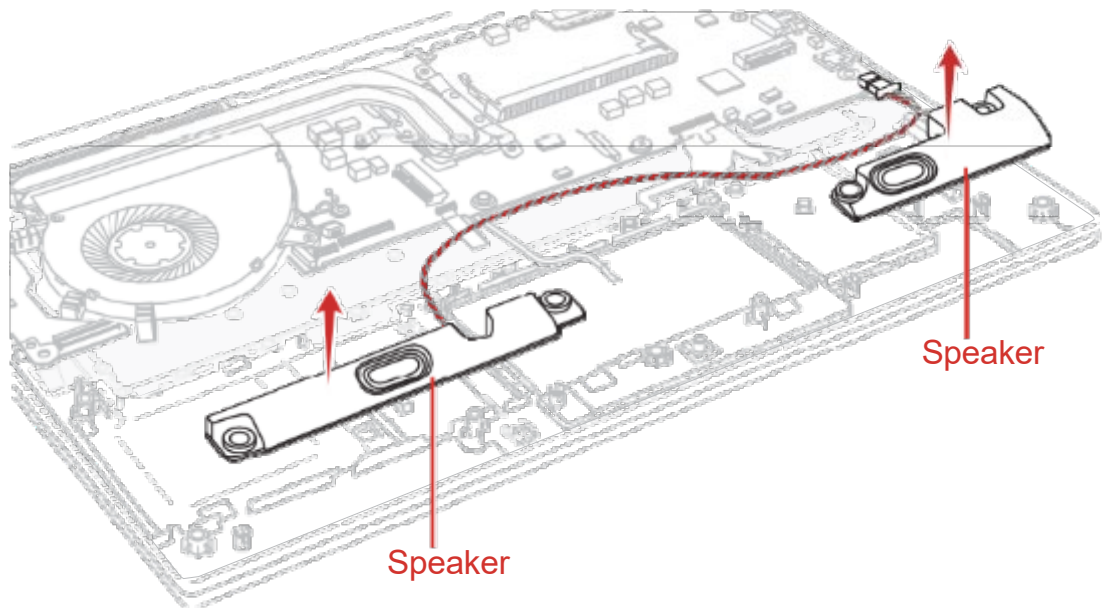
1. Disconnect the **Speaker harness** from the connector **CN6290** on the system board.
2. Open the stick tape. Release the **Speaker harness** from the guides.

Figure 4-24 Removing the Speaker (1)



3. Remove the Speaker from the Cover Assembly.

Figure 4-25 Removing the Speaker (2)

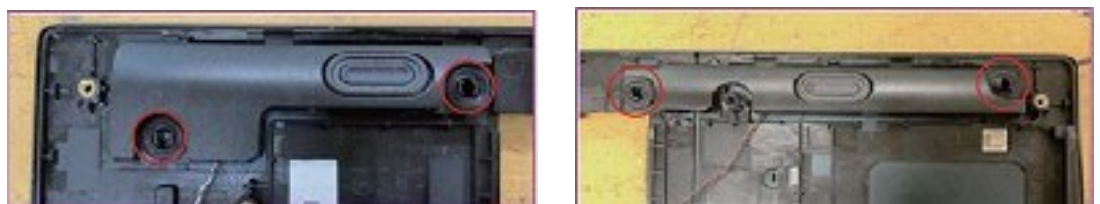


4.16.2 Installing the Speaker

To install the Speaker, follow the steps below.

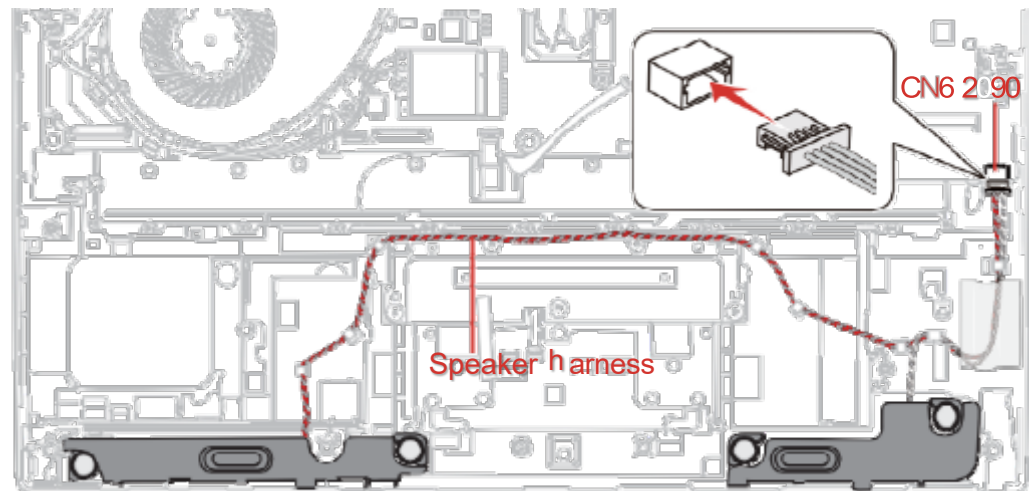
1. Set the speakers to the Cover Assembly in place.

Figure 4-26 Installing the Speaker (1)



2. Arrange the **Speaker harness** under the guides as shown below.
3. Connect the **Speaker harness** to the connector **CN6290** on the system board.
4. Arrange the rest of **Speaker harness** as shown below, and fix it with new stick stape.

Figure 4-27 Installing the Speaker (2)



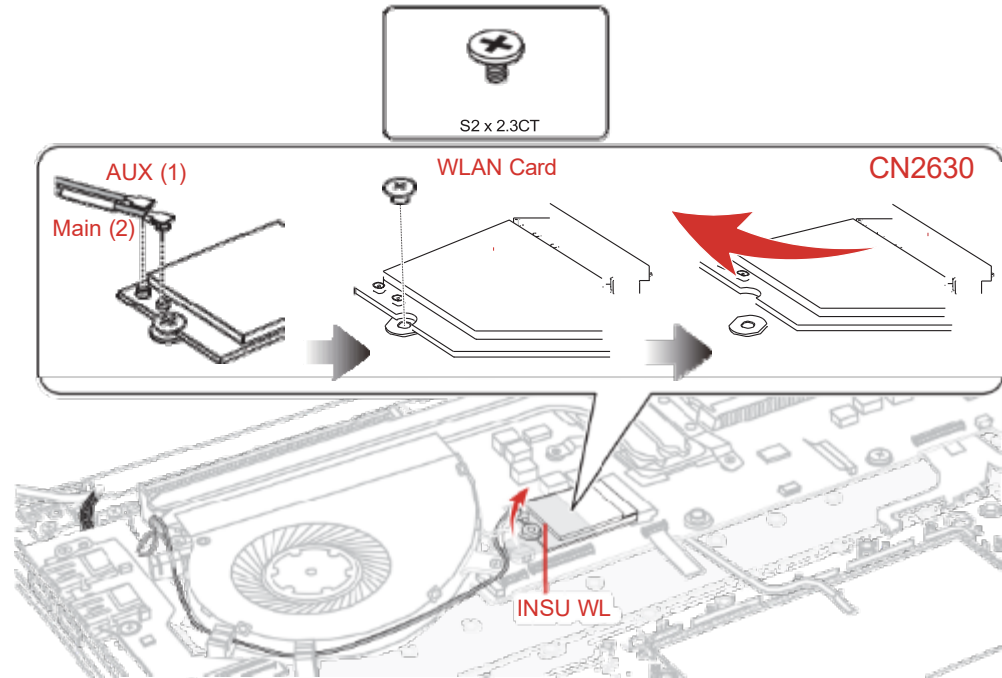
4.17 Wireless LAN card

4.17.1 Removing the Wireless LAN card

To remove the Wireless LAN card, follow the steps below and refer to [Figure 4-28](#).

1. Peel off the **INSU WL**.
2. Disconnect the **Wireless LAN antenna cable** from the connector on the Wireless LAN card (black cable from “**AUX**” or “**1**” and black cable with white cover from “**Main**” or “**2**”).
3. Disconnect the **Camera harness** from the connector **CN9540** on the system board and release the camera harness from the guides on the Cover Assembly.
4. Release the **Wireless LAN antenna cable** from the guides on the Cover Assembly.
5. Remove the screw securing the **Wireless LAN card**.
6. Disconnect the **Wireless LAN card** from the connector **CN2630** on the **System Board (FSAPSY*)**.

Figure 4-28 Removing the Wireless LAN card

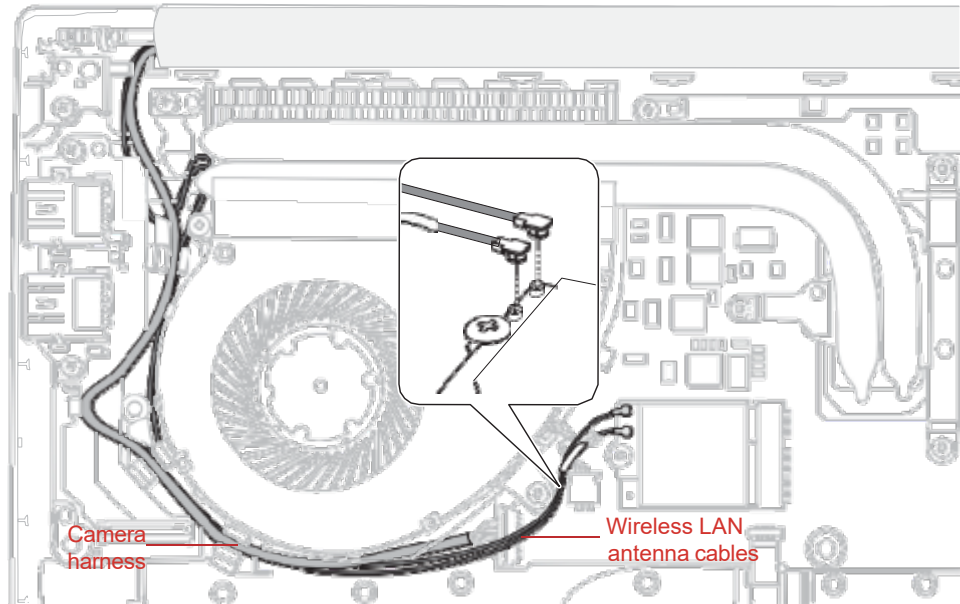


4.17.2 Installing the Wireless LAN card

To install the Wireless LAN card, follow the steps below.

1. Insert the **Wireless LAN card** to the connector **CN2630** on the **System Board (FSAPSY*)** slantwise and press it to connect firmly.
2. Push down the **Wireless LAN card** and secure it with the screw.
3. Arrange the **Wireless LAN antenna cables** and **Camera harness** to the guides as below.
4. Connect the Camera harness to the connector CN9540 on the system board.
5. Connect the **Wireless LAN antenna cables** to the connectors (black cable to “**AUX**” or “**1**” and black cable with white cover to “**Main**” or “**2**”) on the **Wireless LAN card**.

Figure 4-29 Installing the Wireless LAN card (1)



6. Stick a new **INSU WL** in place.

Figure 4-30 Installing the Wireless LAN card (2)

INSU WL



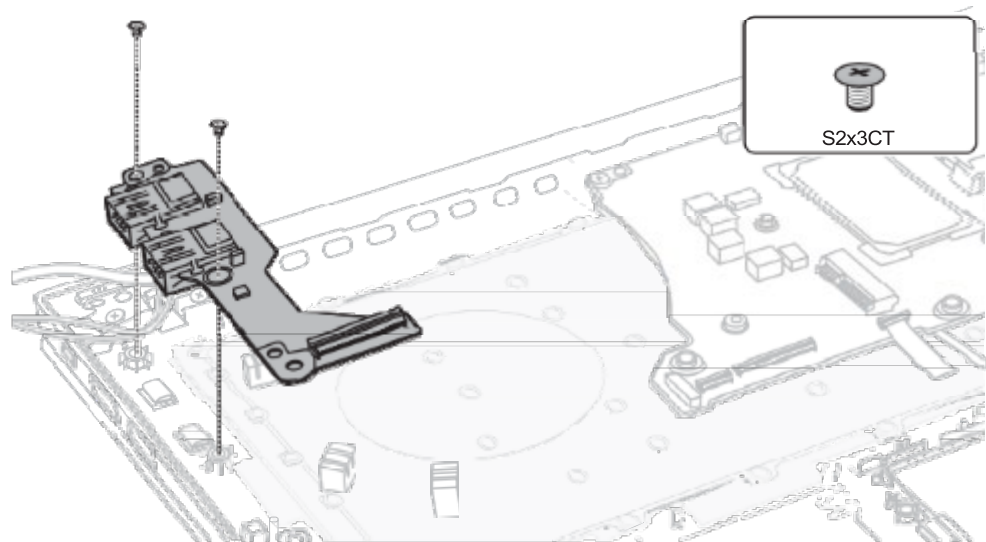
4.18 USB board

4.18.1 Removing the USB board

To remove the USB board, follow the step below and refer to [Figure 4-31](#).

1. Remove the following screws and the USB board from the Cover Assembly.

Figure 4-31 Removing the USB board



4.18.2 Installing the USB board

To install the USB board (FSAPCN*), follow the step below and refer to [Figure 4-31](#).



When replacing the USB board with a new one, stick one piece of **GUM CUSHION** on the USB board in place.



1. Set the **USB board (FSAPCN*)** to the Cover Assembly in place and secure it with the screws.

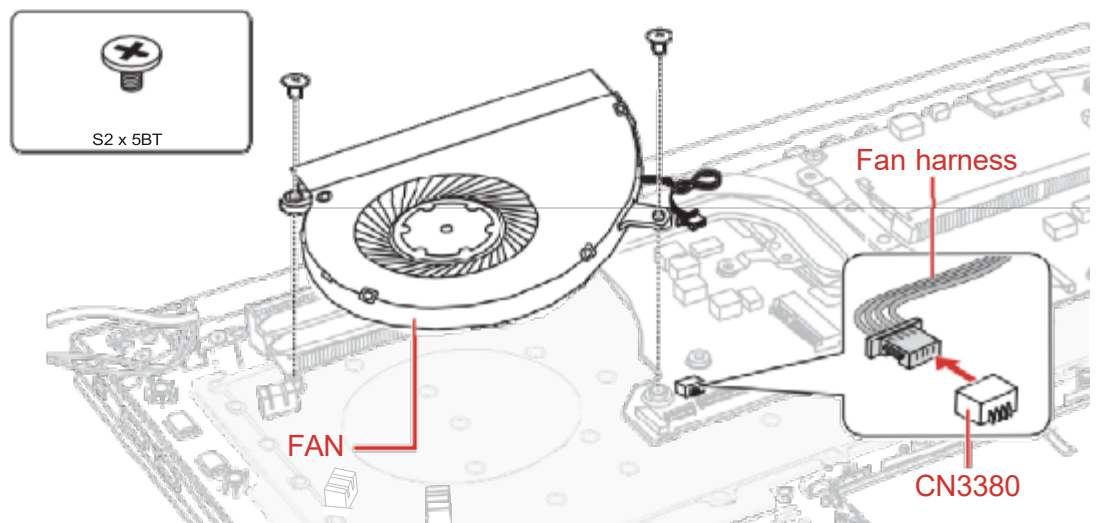
4.19 Fan

4.19.1 Removing the Fan

To remove the Fan, follow the steps below and refer to [Figure 4-32](#).

1. Disconnect the **Fan harness** from the connector **CN3380** on the **System Board (FSAPSY*)**.
2. Remove the following screws and the **Fan** from the Cover Assembly.

Figure 4-32 Removing the Fan



4.19.2 Installing the Fan

To install the Fan, follow the steps below and refer to [Figure 4-32](#).

1. Set the **Fan** in place on the Cover Assembly and secure it with the screws.
2. Connect the **Fan harness** to the connector **CN3380** on the **System Board (FSAPSY*)**.

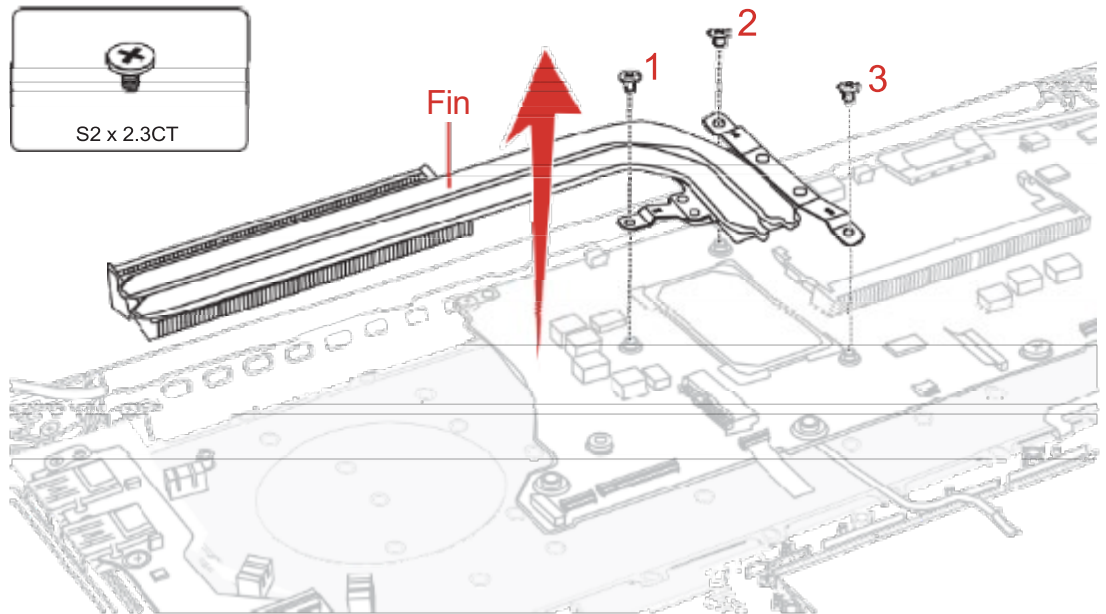
4.20 Fin

4.20.1 Removing the Fin

To remove the Fin, follow the steps below and refer to [Figure 4-33](#).

1. Remove the following screws and then the **Fin**.

Figure 4-33 Removing the Fin



When removing the Fin, be sure to remove the screws in the reverse order of the number marked on the Fin.

4.20.2 Installing the Fin

To install the Fin, follow the steps below and refer to [Figure 4-33](#).

1. Set the **Fin** in place and secure it with the screws.

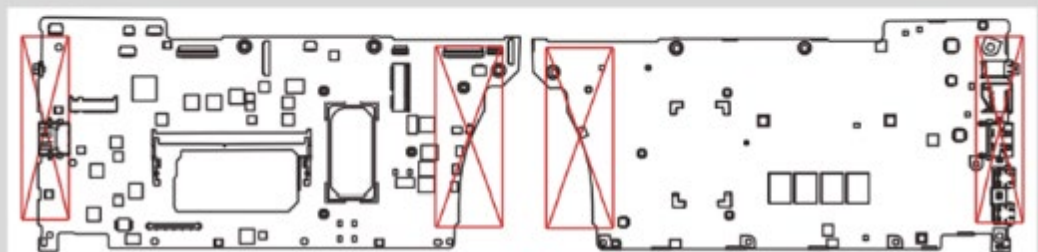


When installing the Fin, be sure to install the screws in the order of the number marked on the Fin.

4.21 System board

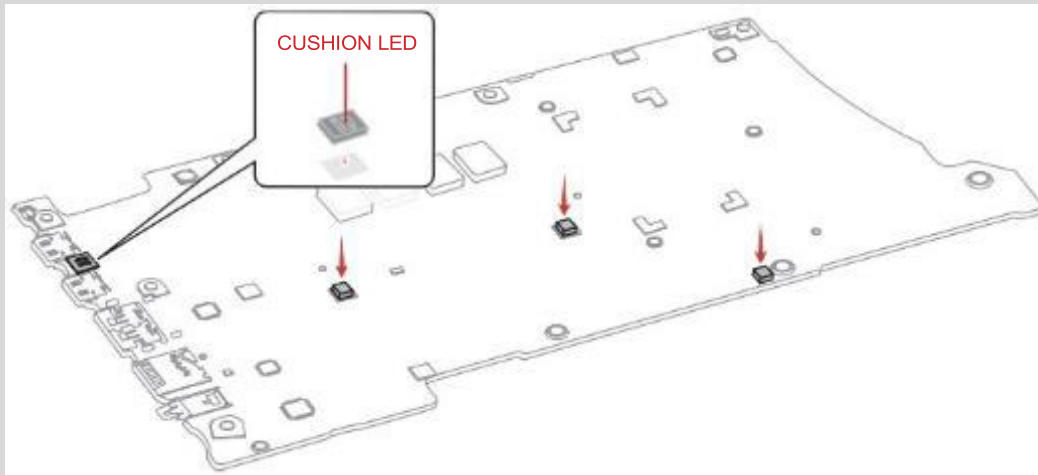


1. If replacing with a new system board, update the DMI information as described in Chapter 3, [Tests and Diagnostics](#). Also update with the latest BIOS and EC/KBC as described in Appendix G, [BIOS Rewrite Procedures](#), and Appendix H, [EC/KBC Rewrite Procedures](#).
2. When replacing the system board with a new one, the ProductKey

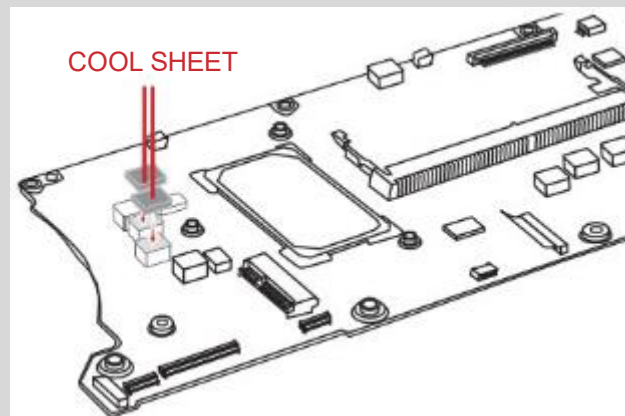




- When replacing the system board with a new one, stick three pieces of new **GUM CUSHION** and one piece of new **CUSHION LED** on one side of the system board in place.



- When replacing the system board with a new one, stick two pieces of new **COOL SHEET** on the other side of the system board in place.

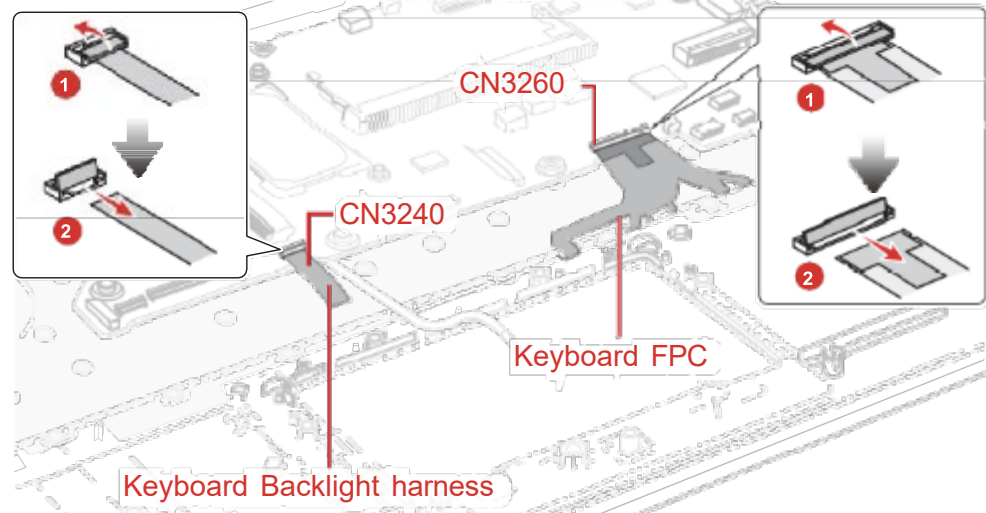


4.21.1 Removing the System board

To remove the system board, follow the steps below and refer to [Figure 4- 34](#) to [Figure 4-36](#).

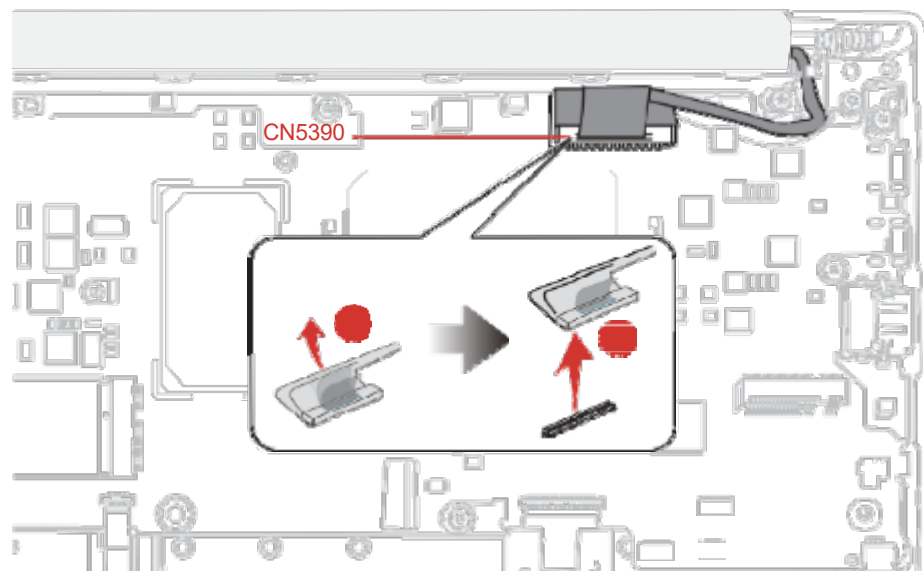
1. Disconnect the **Keyboard FPC** from the connector **CN3260** and **Keyboard Backlight harness** from the connector **CN3240** on the **System Board (FSAPSY*)**.

Figure 4-34 Removing the system board (1)



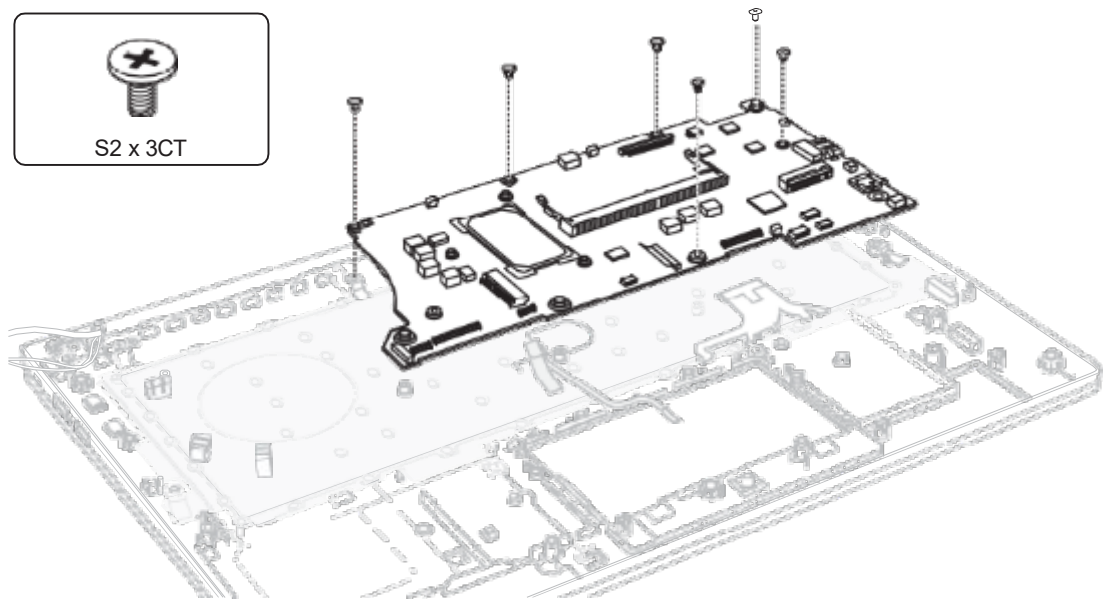
2. Disconnect the **LCD harness** from the connector **CN5390** on the **System Board (FSAPSY*)** and release the harness from the guide on the Cover Assembly.

Figure 4-35 Removing the system board (2)



3. Remove the following the screws. Carefully lift up the system board.

Figure 4-36 Removing the system board (3)

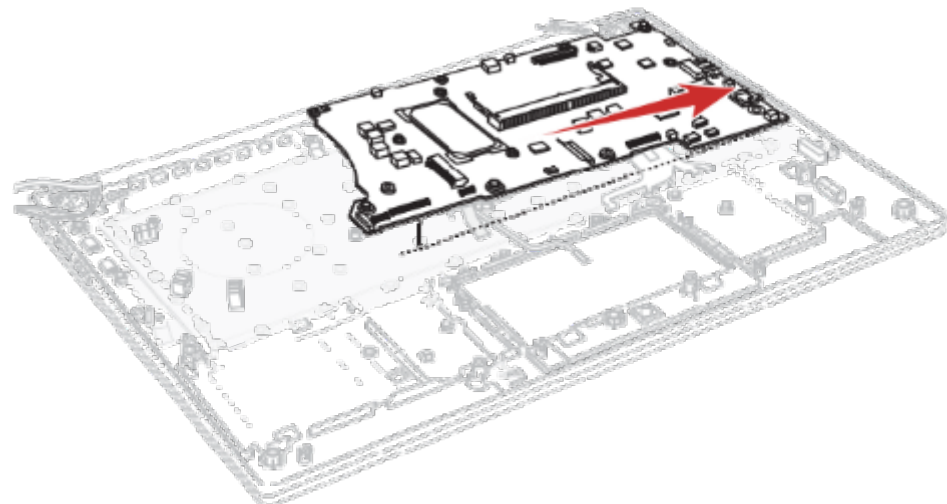


4.21.2 Installing the System board

To install the system board, follow the steps below and refer to [Figure 4- 34](#) to [Figure 4-37](#).

1. Set the system board in place.

Figure 4-37 Installing the system board



2. Secure the system board with the screws.
3. Connect the LCD harness to the connector **CN5390** on the **System Board (FSAPSY*)** and arrange the harness to the guide on the Cover Assembly.
4. Connect the **Keyboard FPC** to the connector **CN3260** and **Keyboard Backlight harness** to the connector **CN3240** on the **System Board (FSAPSY*)**.

4.22 Keyboard/Cover Assembly

The keyboard is assembled to the Cover Assembly by hot melt glue. When either the keyboard or the Cover Assembly needs to be replaced with a new one, please replace them all with a new set of keyboard and Cover Assembly which are already assembled.

4.22.1 Removing the Keyboard/Cover Assembly

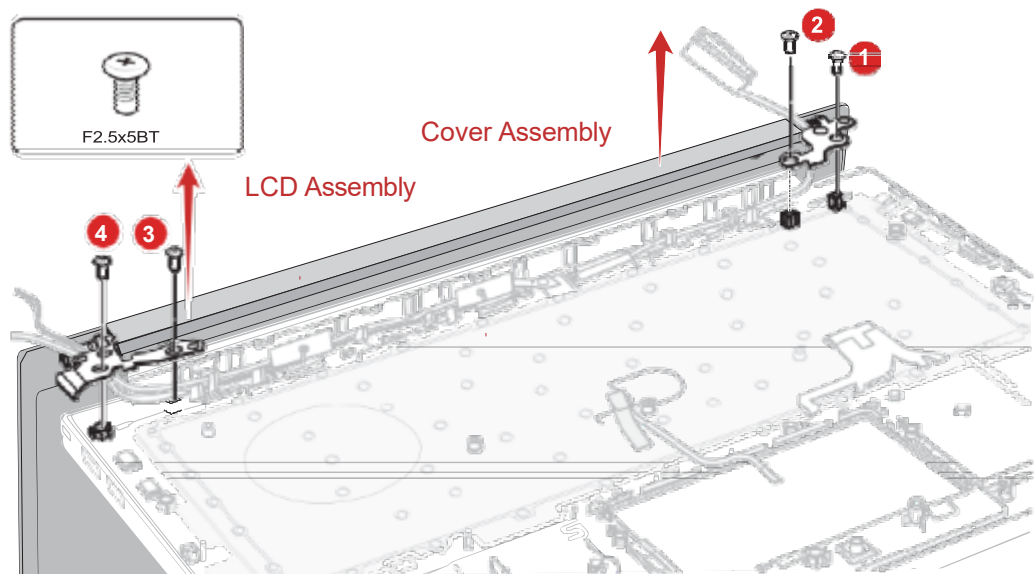
To remove the Keyboard/Cover Assembly, follow the step below and refer to [Figure 4-38](#).



As the keytop may fall out, when handling the keyboard, always hold it by the frame and do not touch the key top.

1. Release the following screws and separate the **LCD Assembly** and **Cover Assembly**.

Figure 4-38 Removing the Keyboard/Cover Assembly



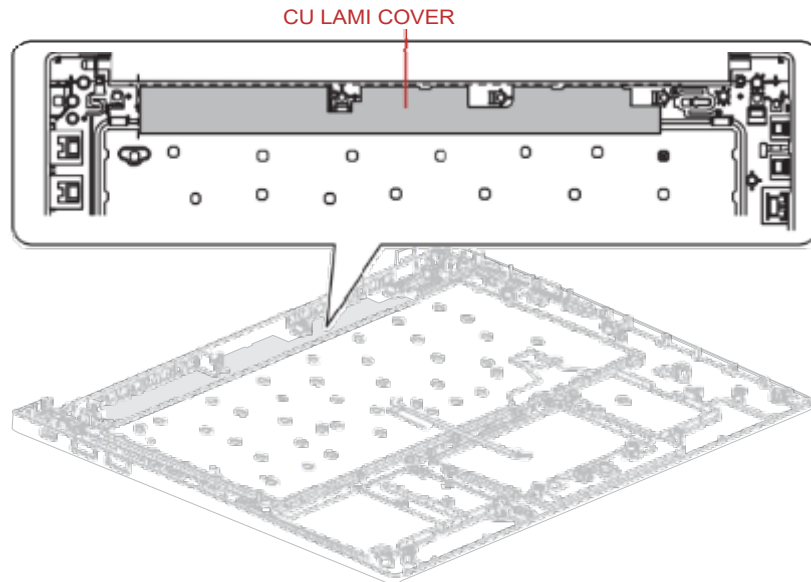
4.22.2 Installing the Keyboard/Cover Assembly

To install the Keyboard/Cover Assembly, follow the step below and refer to [Figure 4-38](#).

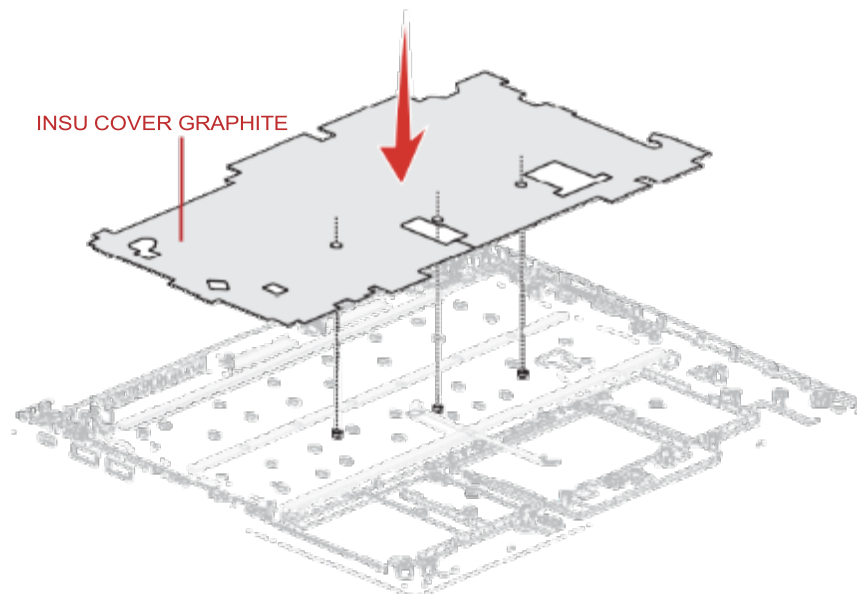
1. Set the LCD Assembly on the Cover Assembly and secure them with the screws.

Note: When replacing the Cover Assembly with a new one

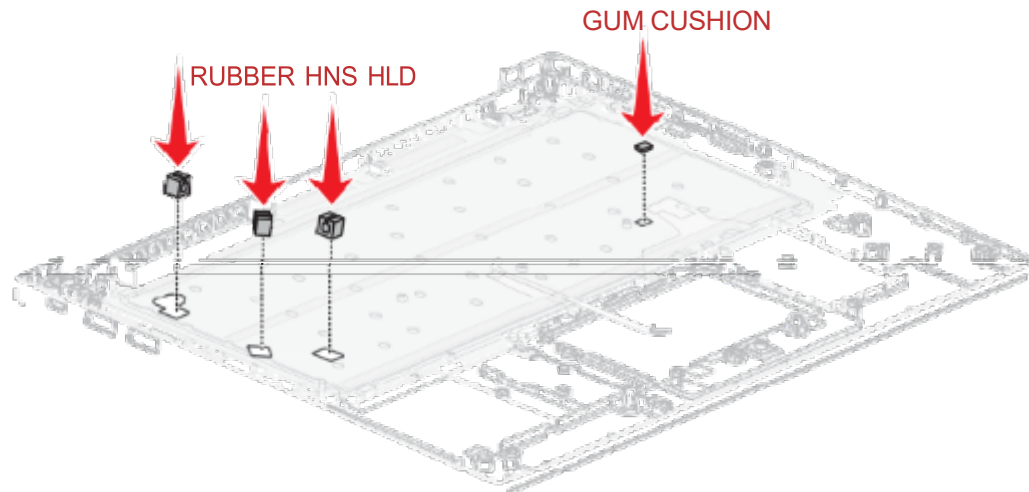
- Stick the **CU LAMI COVER** on the cover assembly in place.



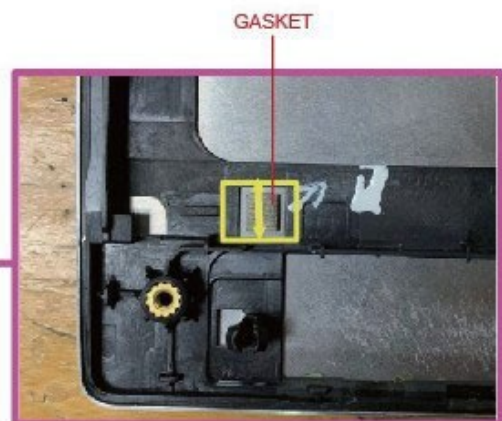
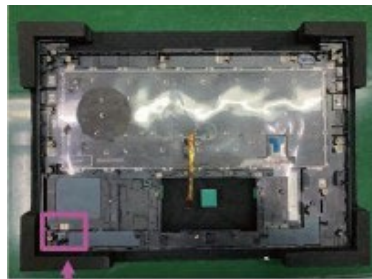
- Stick the **INSU COVER GRAPHITE** on the cover assembly in place.



- Stick one piece of **GUM CUSHION** on the INSU COVER GRAPHITE and three pieces of **RUBBER HNS HLD** on the cover assembly in place.



- (For Smart Card model) Stick one piece of **GASKET** on the cover assembly in place.



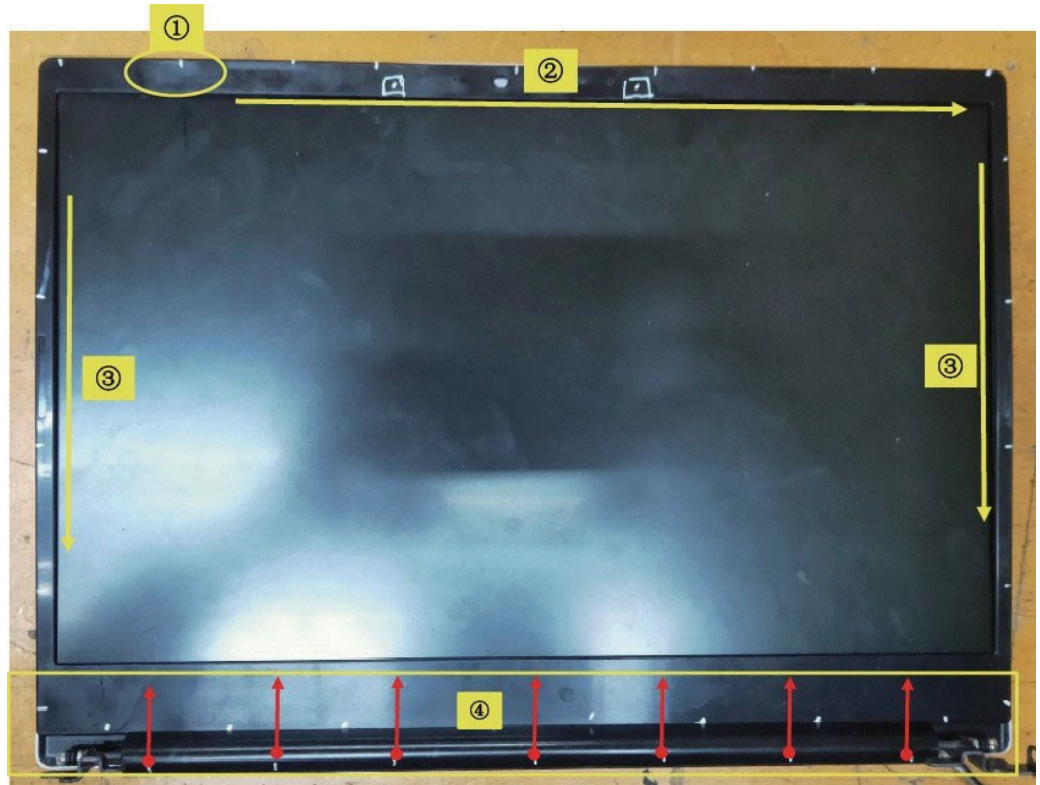
4.23 LCD Assembly

4.23.1 Removing the LCD unit

To remove the LCD unit, follow the steps below and refer to [Figure 4-39](#) to [Figure 4-41](#).

1. Detach the LCD mask from the top side of the LCD cover first. Release the latches from the second one (on the left as marked in the following figure) to the right.
2. Release the latches from the left and right sides and then the bottom side.

Figure 4-39 Removing the LCD unit (1)

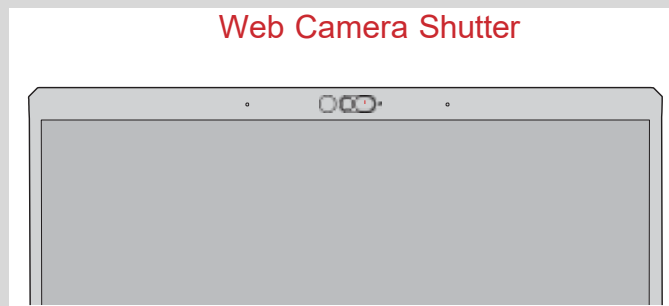


Do not lift the LCD mask too much from the LCD covers when detaching the LCD mask.

3. Remove the LCD mask.

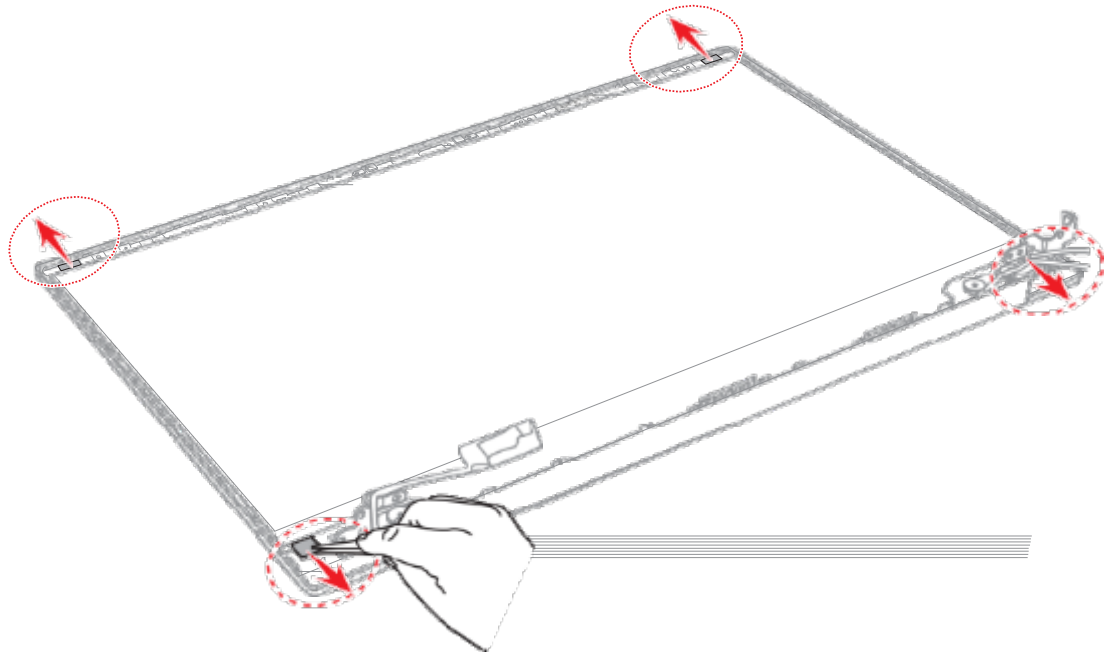


The Web Camera Shutter is attached to the LCD mask by magnet. Please be care not to lose it during removing the LCD mask.



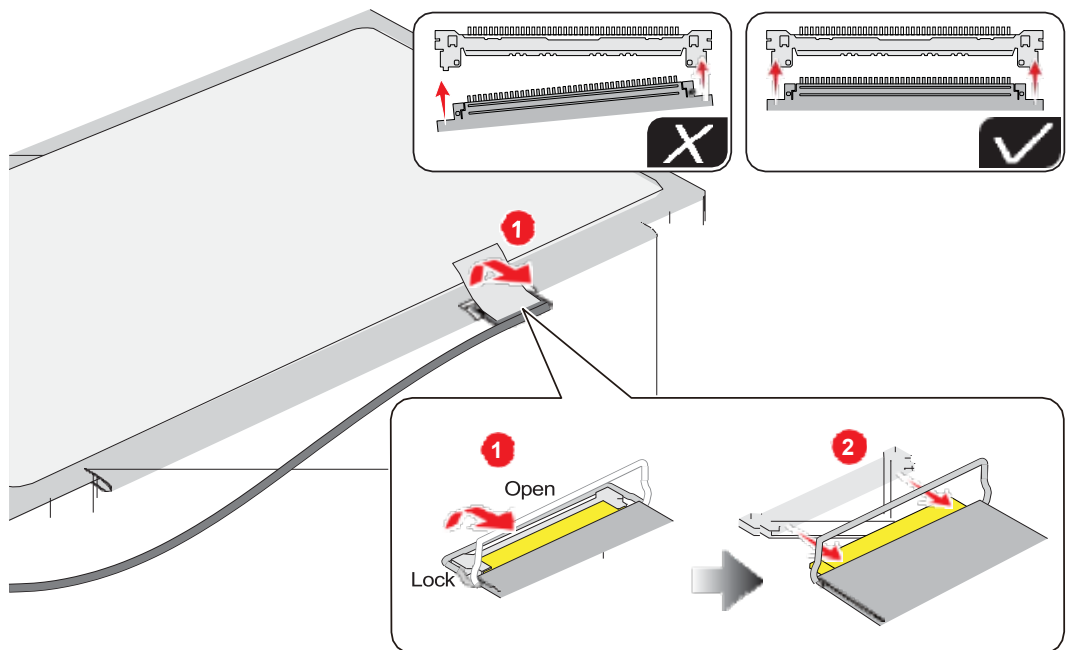
4. Release the LCD harness from the guides on the LCD cover.
5. Grasp the bound & detach tapes and pull out the tapes slowly and parallely from the LCD cover.

Figure 4-40 Removing the LCD unit (2)



6. Take out the LCD unit.
Be careful that the LCD harness is connected to the connector on the back of the LCD unit.
7. Peel the pull tape and disconnect the LCD harness from the connector on the LCD unit.

Figure 4-41 Removing the LCD unit (3)



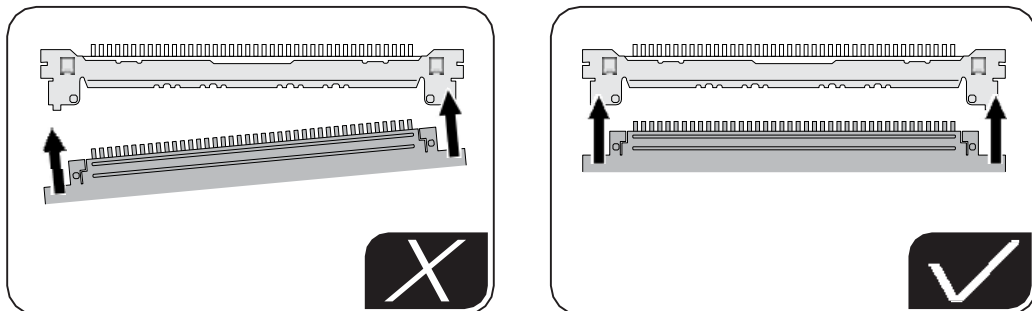
4.23.2 Installing the LCD unit

To install the LCD unit, follow the steps below.

1. Connect the LCD harness to the connector on the LCD unit and secure it with the pull tape and glass tape.



When connect the LCD harness, make sure to connect the right and left side at the same time as shown in the figure below.



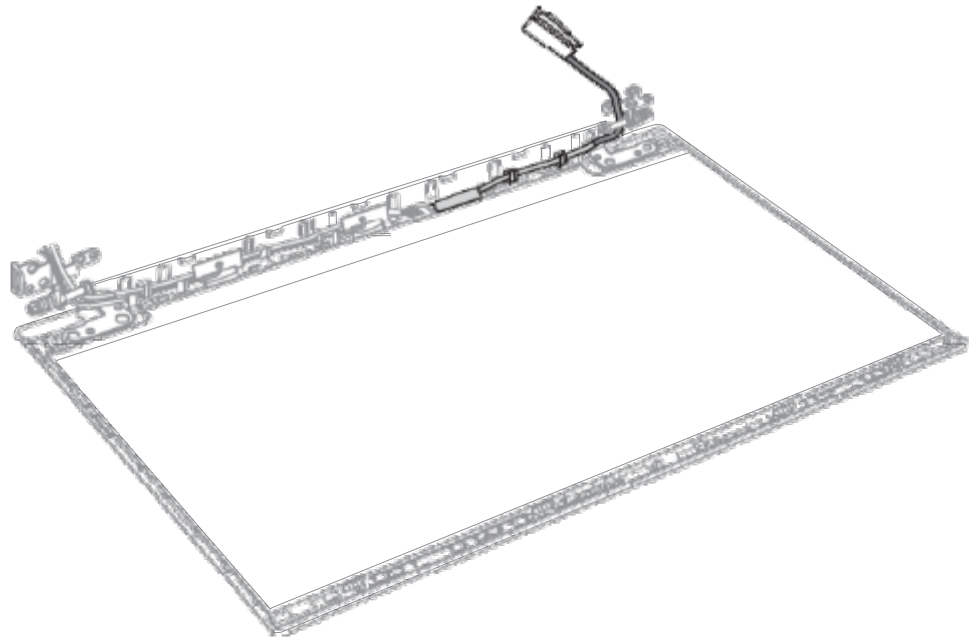
2. Peel off the separators on the bound & detach tapes on the LCD cover.

Figure 4-42 Installing the LCD unit (1)



3. Set the LCD unit in place.
4. Arrange the LCD harness under the guides of the LCD cover.

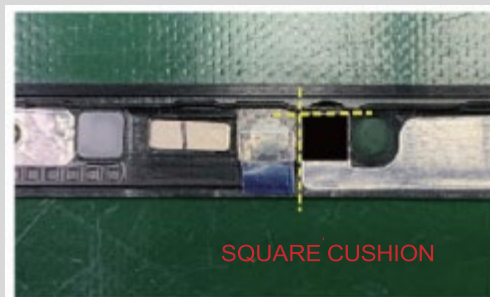
Figure 4-43 Installing the LCD unit (2)



5. Remove the separators of the camera panel and bottom side on the LCD mask.

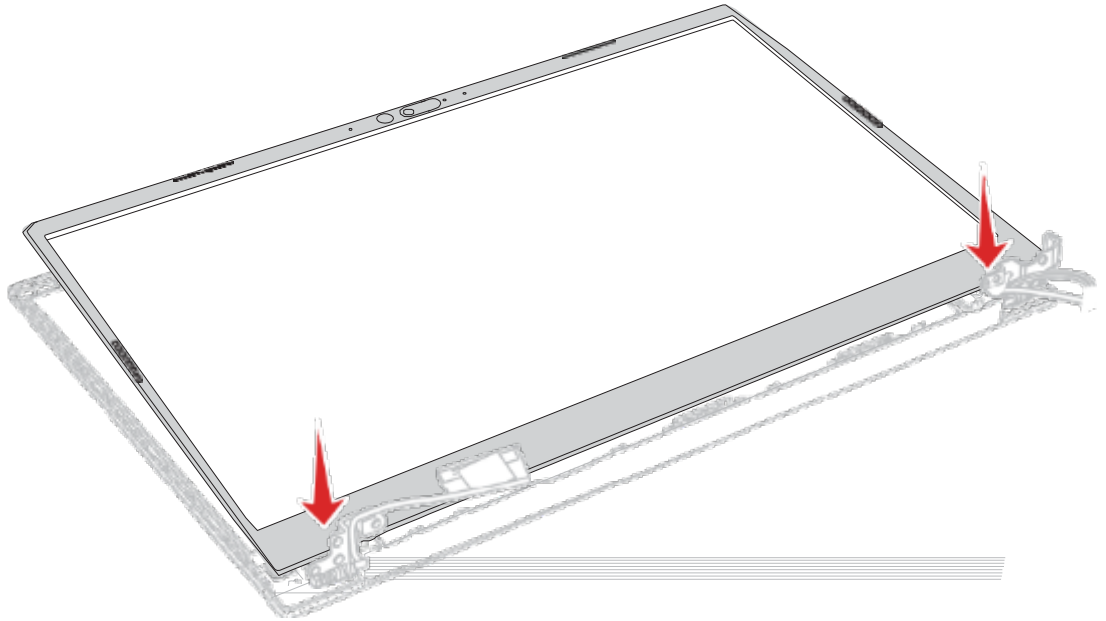


(For IR camera model) When replacing the LCD mask with a new one, Stick one piece of **SQUARE CUSHION** on the LCD mask in place.



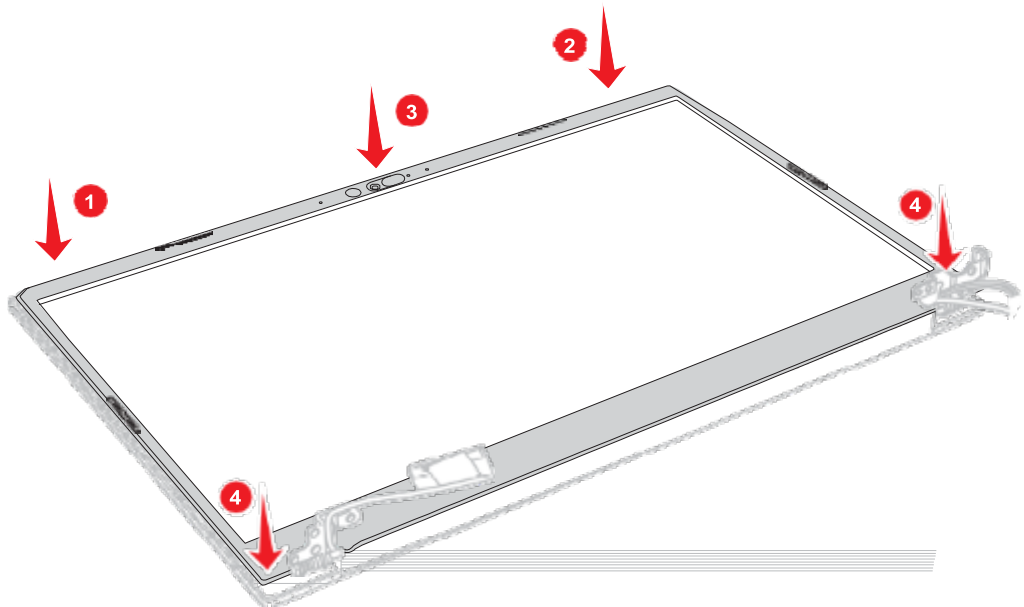
6. Align and install the LCD mask to the bottom side of the LCD cover first.

Figure 4-44 Installing the LCD unit (4)



7. Set the LCD mask on the LCD cover while engaging the latches.

Figure 4-45 Installing the LCD unit (5)



8. Engage all the latches following the order in the figure below.

Figure 4-46 Installing the LCD unit (6)



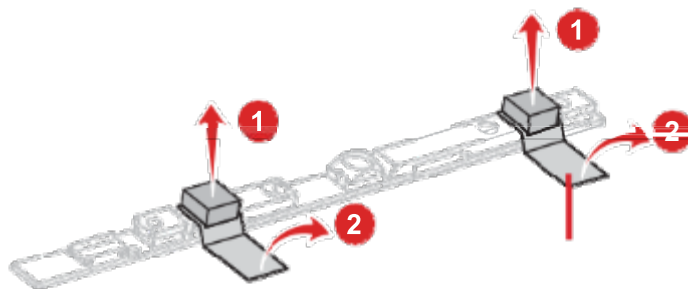
4.24 Camera module/Wireless antennas

4.24.1 Removing the Camera module

To remove the camera module, follow the steps below and refer to [Figure 4-47](#) to [Figure 4-49](#).

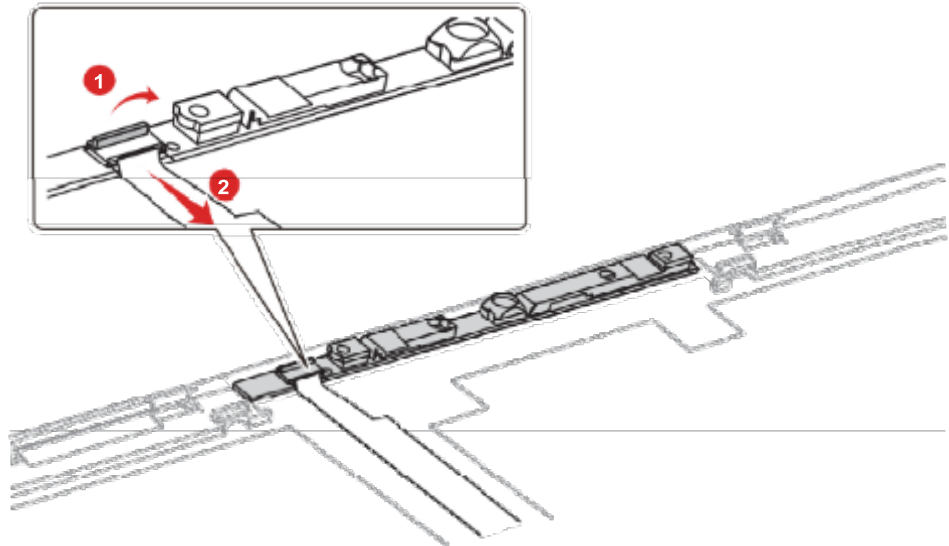
1. Remove two pieces of **GASKET** and peel off two pieces of **AL TAPE** on the camera module.

Figure 4-47 Removing the camera module (1)



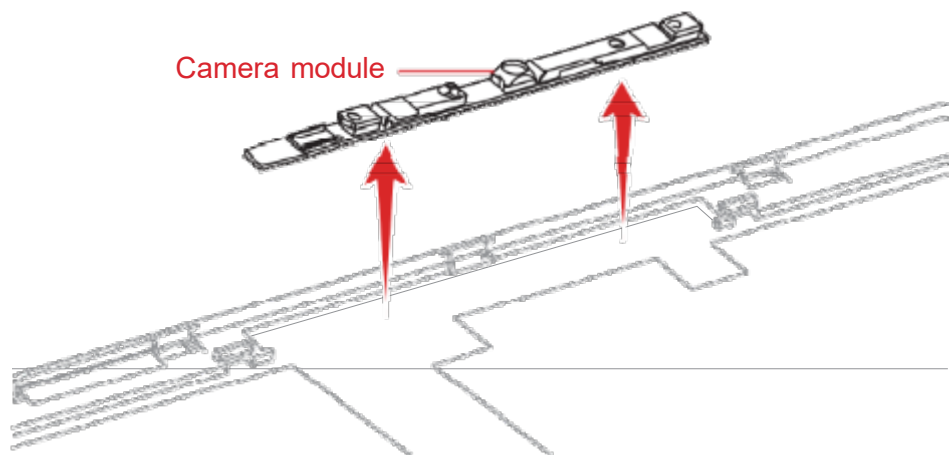
2. Disconnect the camera FPC from the connector on the camera module and peel off the FPC from the LCD cover.

Figure 4-48 Removing the camera module (2)



3. Peel off the **camera module** from the LCD cover.

Figure 4-49 Removing the camera module (3)



Do not reuse the removed camera module. Be sure to use new camera module.

4.24.2 Removing the Wireless LAN antennas

To remove the Wireless LAN antennas, follow the steps below.

1. Release the Wireless LAN antenna cables from the guides on the LCD cover.
2. Peel off the Wireless LAN antennas from the LCD cover.



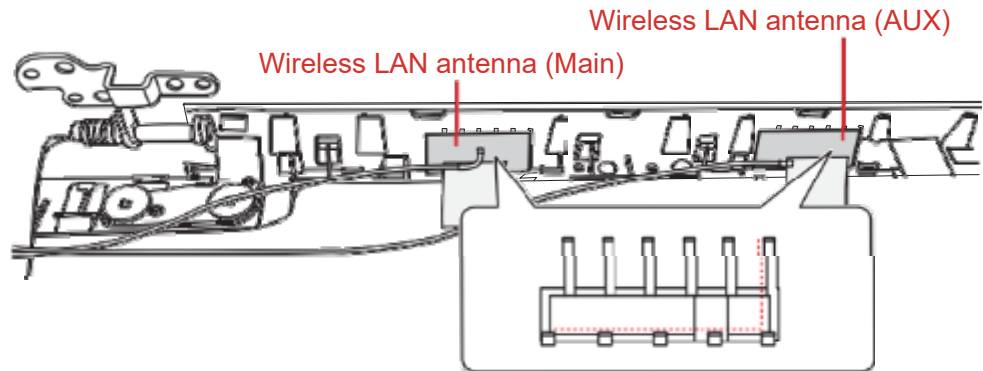
Do not reuse the removed wireless antennas. Be sure to use new wireless antenna.

4.24.3 Installing the Wireless LAN antennas

To install the Wireless LAN antennas, follow the steps below.

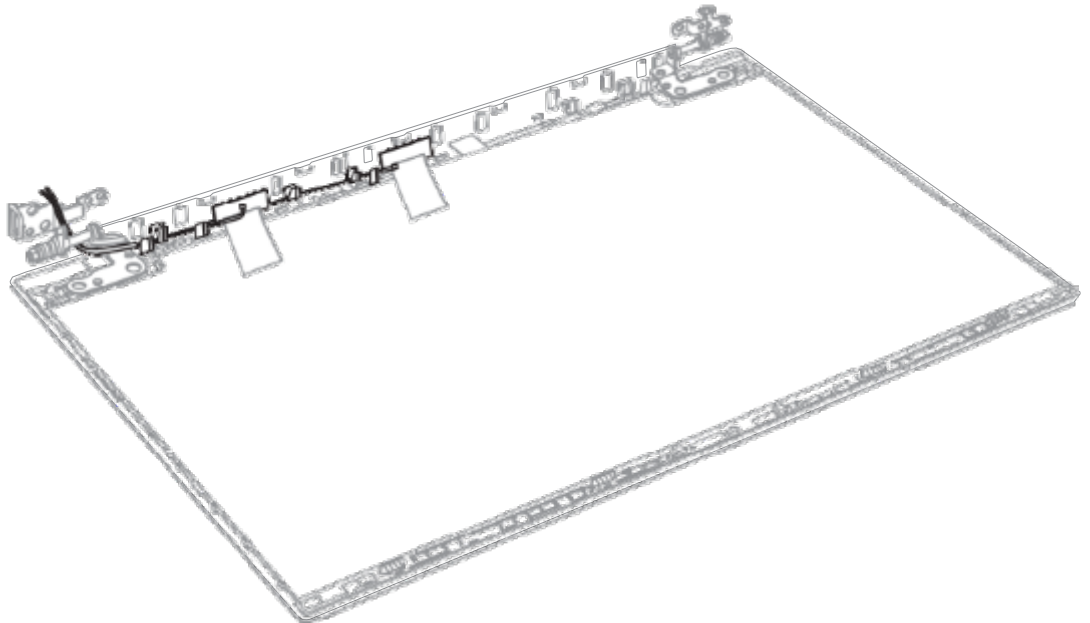
1. Stick new **Wireless LAN antennas (AUX/Main)** in place.

Figure 4-50 Stick Wireless LAN antennas



2. Arrange the **Wireless LAN antenna cables** in place as shown in below figure.

Figure 4-51 Arrange Wireless LAN antenna cables



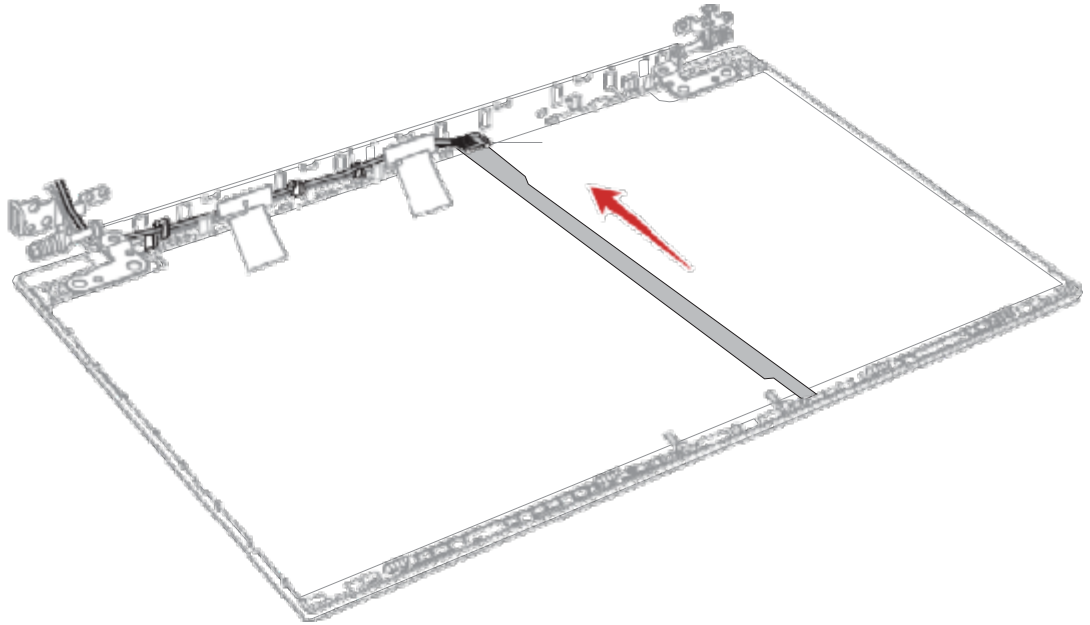
4.24.4 Installing the Camera module

To install the camera module, follow the steps below and refer to [Figure 4- 47](#) to [Figure 4-52](#).

1. Peel off the protection sheet from a new camera module and stick the **new camera module** to the LCD cover.
2. Stick two pieces of **AL TAPE** on the new camera module.
3. Stick two pieces of **GASKET** on the AL TAPE.

4. Connect the camera FPC to the connector on the camera module.
5. Peel off the separators on the camera FPC and stick the FPC to the LCD cover in place.
6. Arrange the camera harness to the guides on the LCD cover.

Figure 4-52 Installing the Camera module



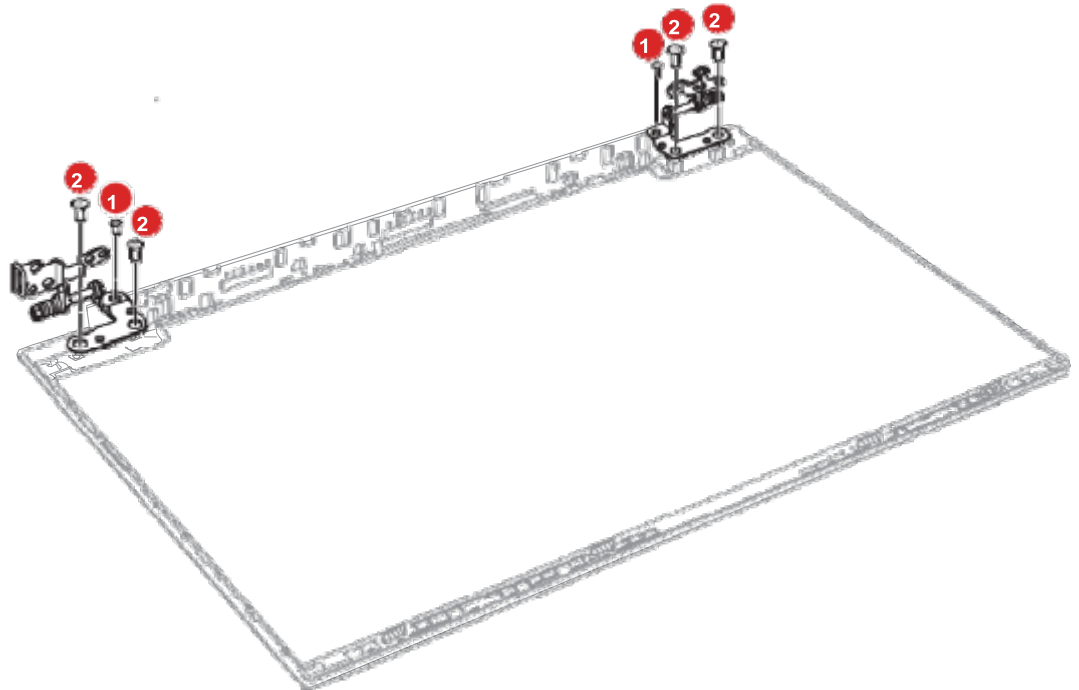
4.25 Display hinges

4.25.1 Removing the display hinges

To remove the display hinges, follow the steps below and refer to [Figure 4- 53](#).

1. Release the following screws and remove the left & right hinges.
 - F2.5x3.5BT x2 (Described as “1” in the figure)
 - SH2.5x2.5BT x4 (Described as “2” in the figure)

Figure 4-53 Removing the display hinges



4.25.2 Installing the display hinges

To install the display hinges, follow the steps below and refer to [Figure 4- 53](#).

1. Set the left & right hinges and secure them with the screws.

AC Adapter, External cables provided with the AC adapter and USB cables

The AC adapter as well as all external cables provided with the notebook including the AC adapter cables and USB cables should be segregated and sent for shredding.

The following components contained within the AC adapter potentially contain hazardous substances and require special handling:

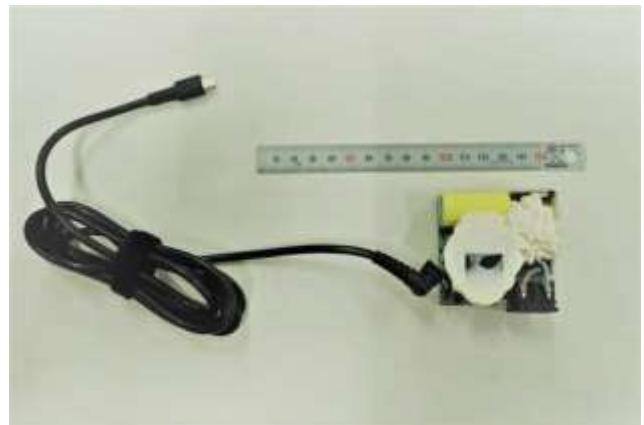
- Printed Circuit Board >10 cm²
- Capacitor >25 mm in height

Photos of the AC adapter and the components noted above are included below.
The notebook has one of two types of AC adapter.

USB connection type



AC adapter



AC Adapter with casing removed



AC Adapter printed circuit board

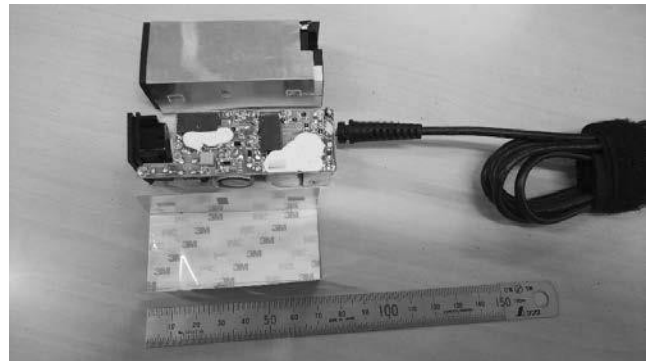


AC adapter capacitor

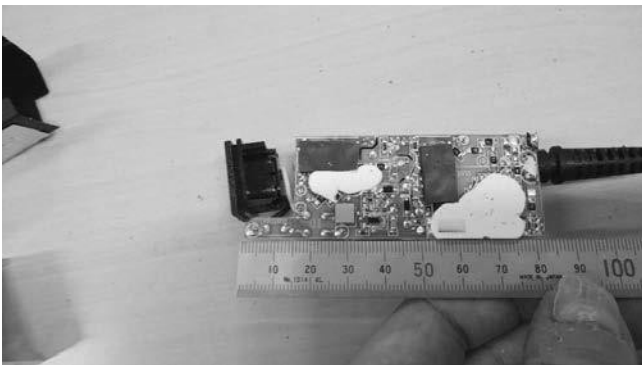
Conventional type



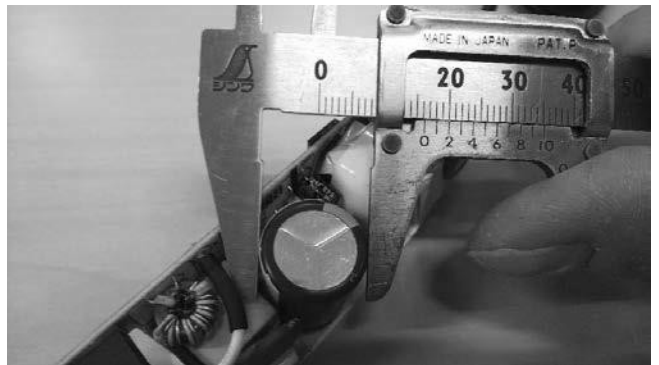
AC adapter



AC Adapter with casing removed



AC adapter printed circuit board



AC adapter capacitor